

Deco

Decorative Air Activated Switch - Button

For Food Waste Disposer Only

STDD

- Decorative alternative to a wall switch.
- Air-activated, above the deck design.
- Goes great for kitchen sinks, kitchen islands, or countertops.
- Contemporary styling.
- Solid brass construction.



FEATURES:

- Remote on/off air switch button for activating continuous feed waste disposers
- Transmitter assembly with button and bezel. Counter top washer and fastening nut are included
- Button and bezel made of brass
- Does not come with control box; button only
- Button and bezel adhered to transmitter assembly base

FINISHES:

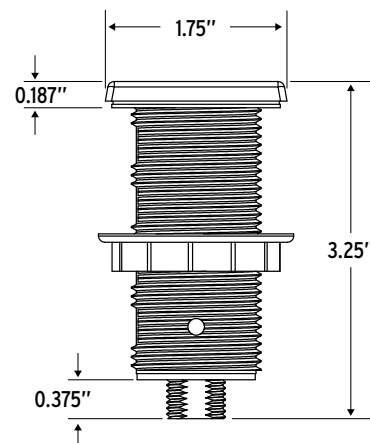
- Chrome
- Satin Nickel
- Matte Black
- Classic Oil-Rubbed Bronze
- Polished Nickel

WARRANTY:

1-Year Limited Warranty.

The complete InSinkErator warranty is included in the Care & Use booklet with each unit.

Required Sink Hole Diameter	1-1/4" - 1-1/2" (3.175 cm - 3.81 cm) Standard Sink Hole
Counter Thickness	Maximum of 3" (7.62 cm)
Shipping Weight	0.35 lb (0.16 kg)



USA: 1.800.558.5700 www.insinkerator.com

CA: 1.800.561.1700 www.insinkerator.ca

InSinkErator may make improvements and/or changes in the specifications at any time, in its sole discretion, without notice or obligation and further reserves the right to change or discontinue models.

©2020 InSinkErator, InSinkErator® is a business unit of Emerson Electric Co. All rights reserved.