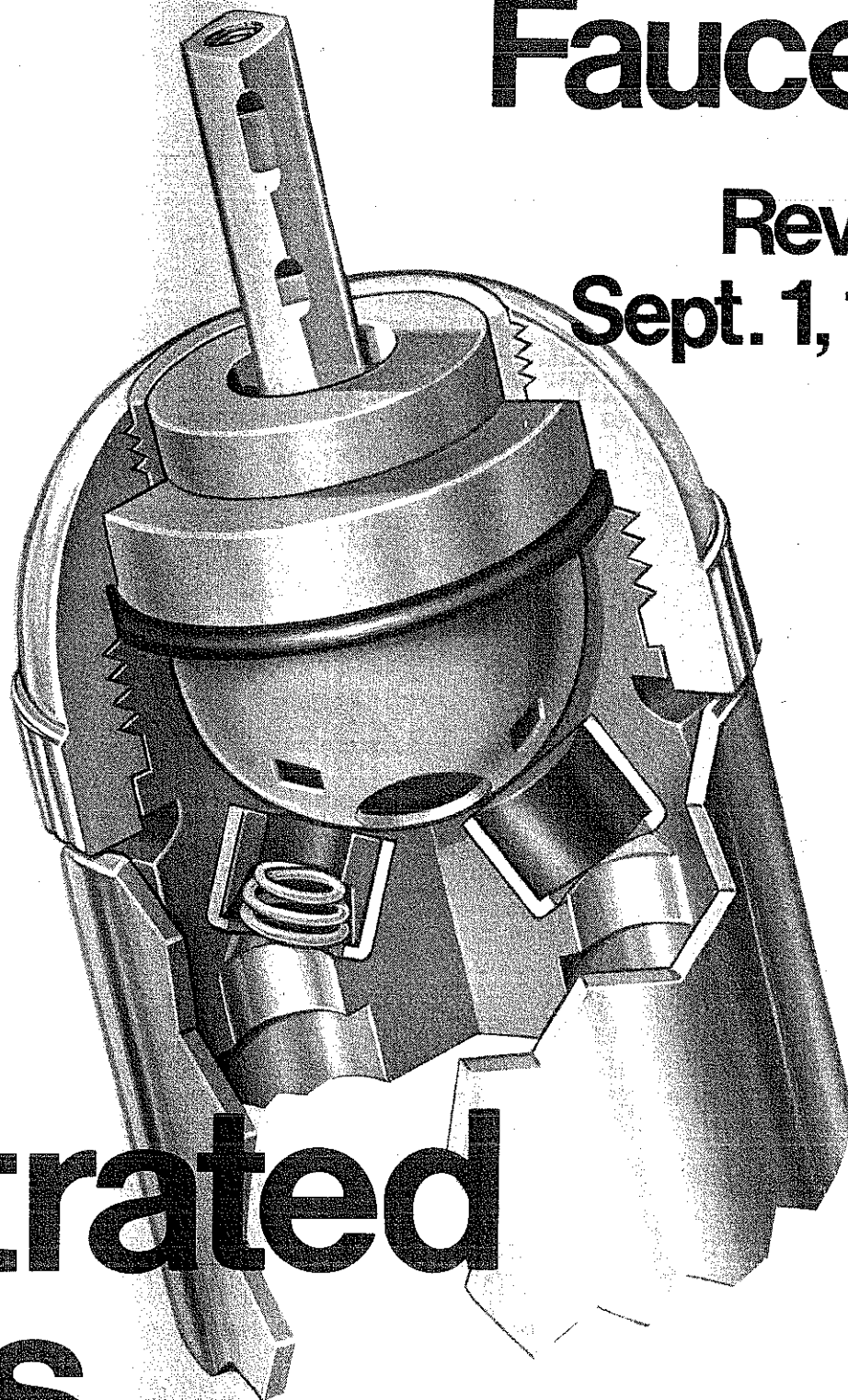


Delta[®] • Delex[®] Faucets

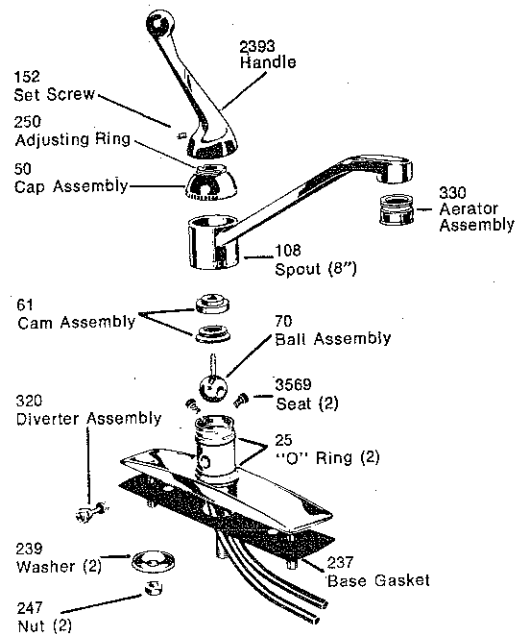
Revised
Sept. 1, 1976



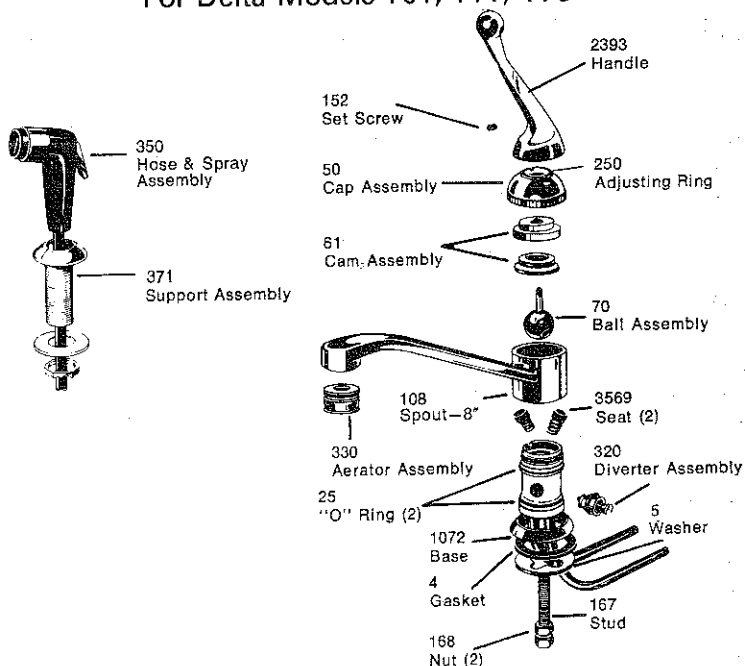
Illustrated Parts Price List

Kitchen Faucets

Delta Single Lever Series Kitchen Deck For Delta 100, 300, 350, 400, 450 Series

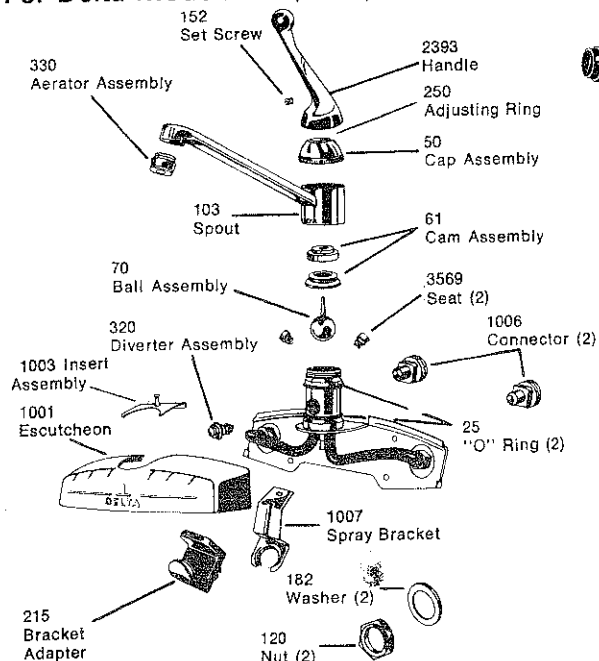


Delta Single Lever Series Single Mount For Delta Models 101, 111, 175



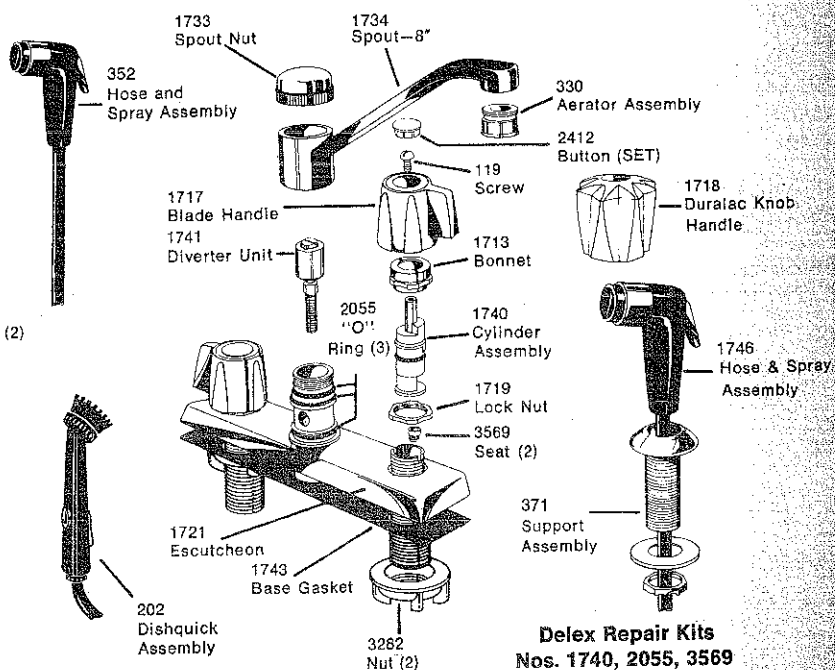
Delta Repair Kits Nos. 3614, 3569

Delta Single Lever Series Wall Mount For Delta Models 200, 250, 275



Delta Repair Kits Nos. 3614, 3569

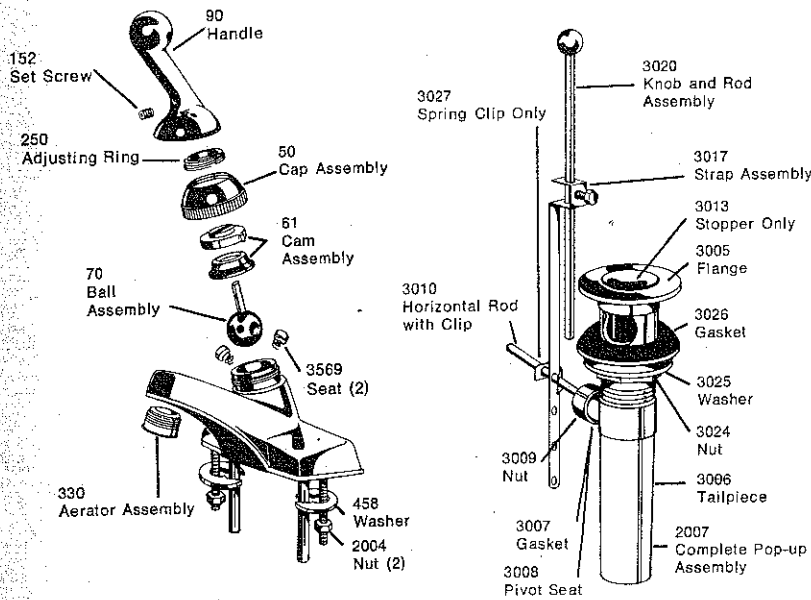
Delex Two Handle Series Kitchen Deck For Delex 2100, 2400 Series



Delex Repair Kits
Nos. 1740, 2055, 3569

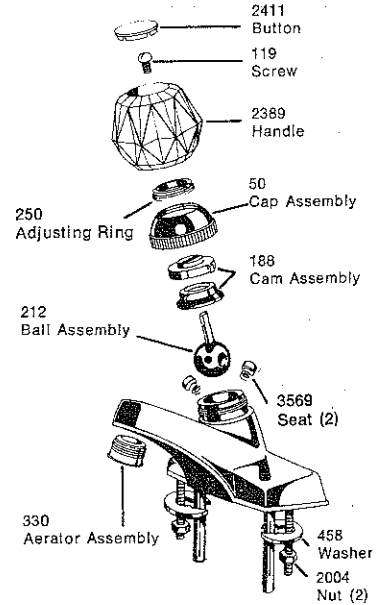
Lavatory Faucets

Delta Single Lever Series Lavatory Centerset For Delta Models 500, 510, 520, 530



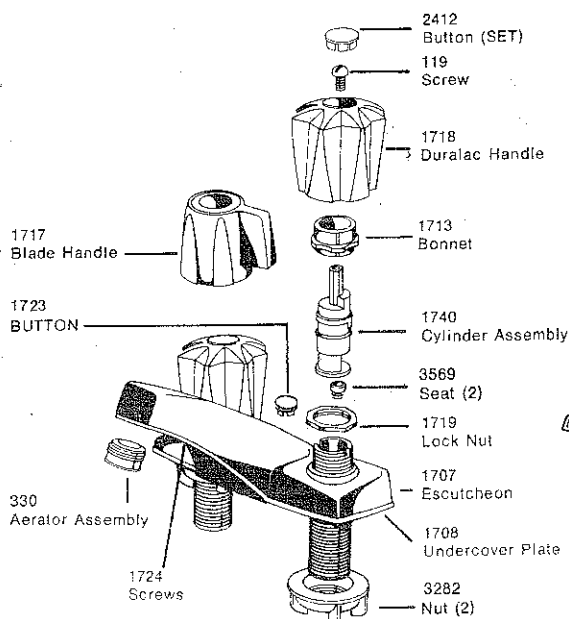
Delta Repair Kits Nos. 3614, 3569

Crystal Handle Series Lavatory Centerset For Delta Models 502, 512, 522, 532



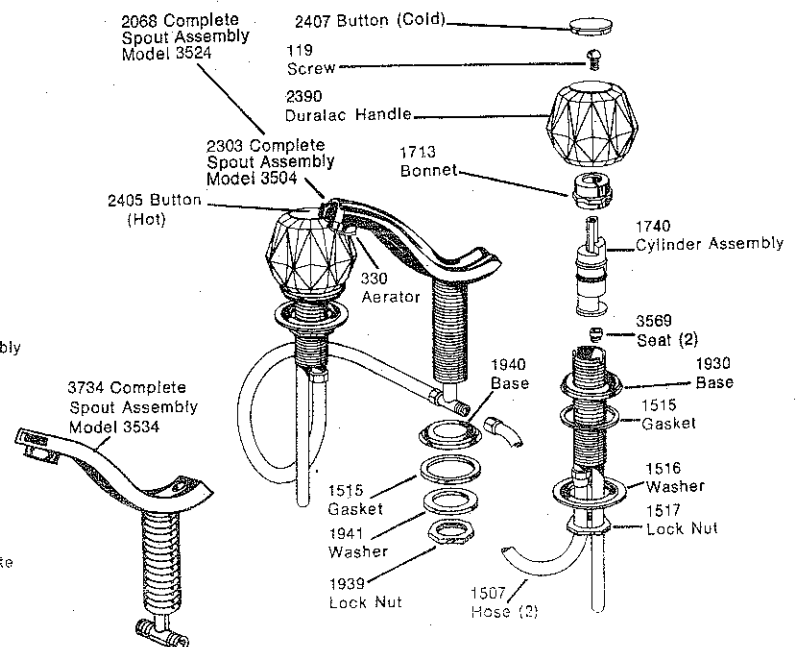
Delta Repair Kits Nos. 3616, 3569

Delex Two Handle Series Lavatory Centerset For Delex 2500 Series

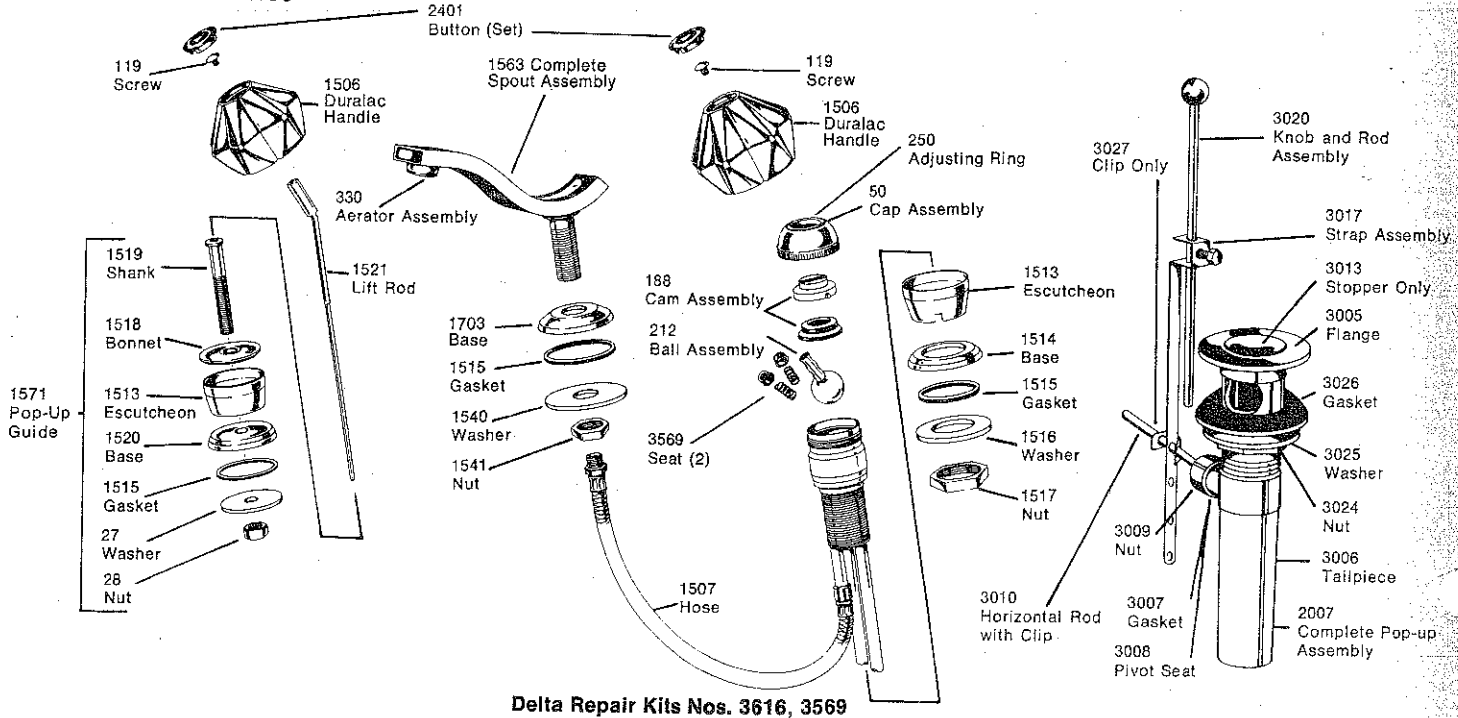


Delex Repair Kits Nos. 1740, 3569

Delex Two Handle Lavatory Widespread For Delex Models 3504, 3524, and 3534

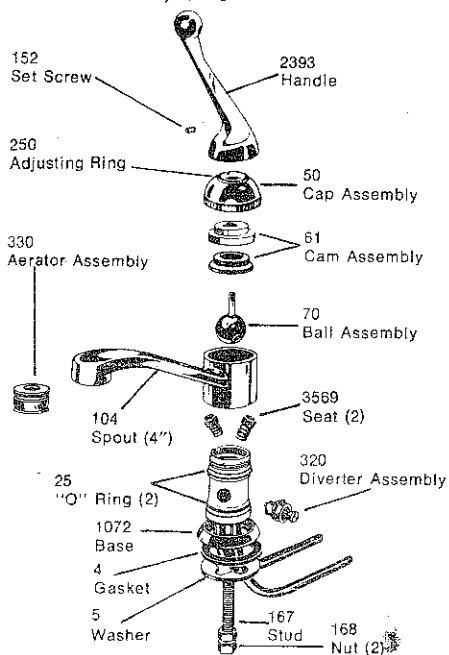


Delta Widespread Series Lavatory (No Longer In Production — Parts Still Available)
 For Delta 5240 Series



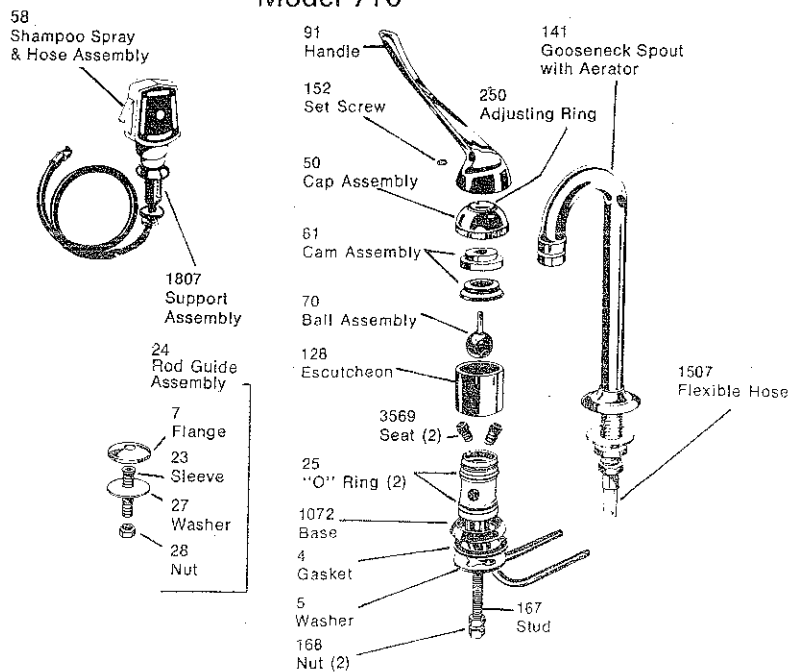
Delta Repair Kits Nos. 3616, 3569

Delta Single Lever Series Lavatory Single Mount
 For Delta Series 570, 575

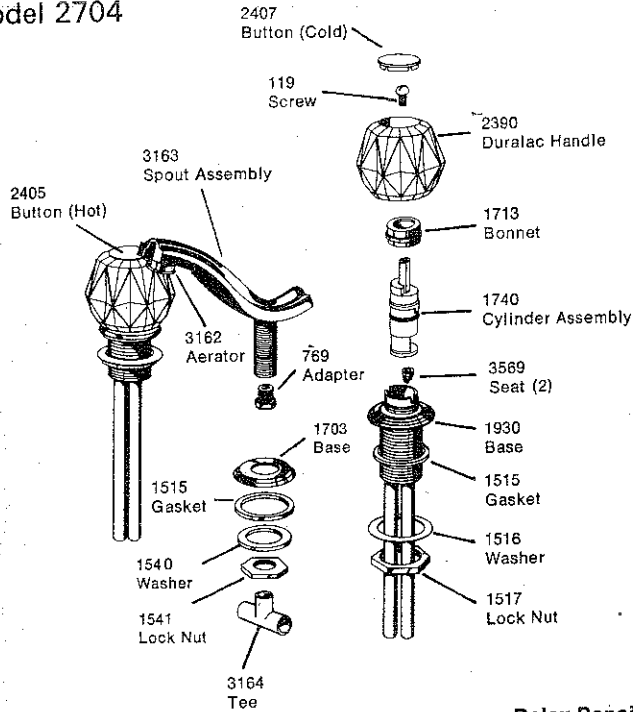


Delta Repair Kits Nos. 3614, 3569

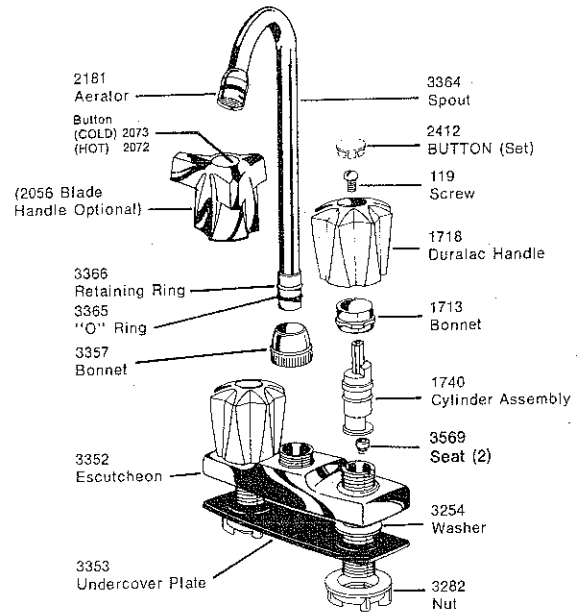
Delta Utility Faucet
 Model 710



**Delex Two Handle Bath Valve Widespread Deck Mount
Model 2704**

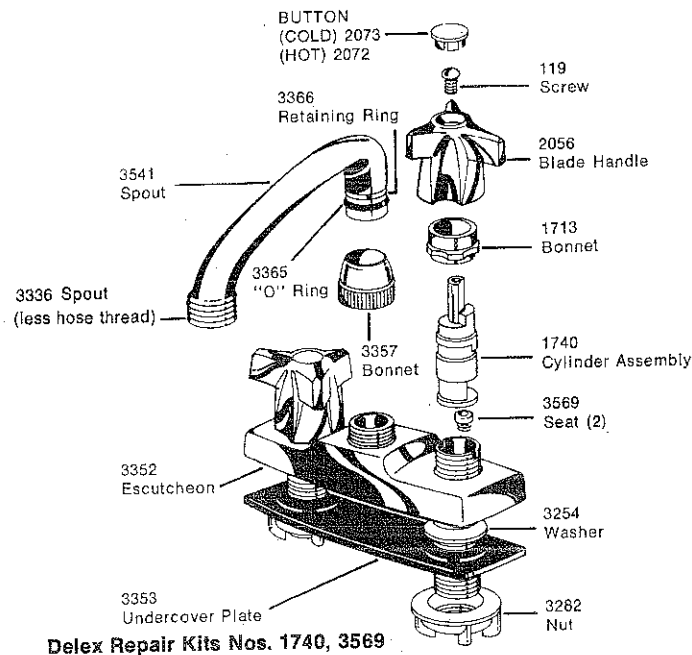


**Delex Two Handle Bar Faucet
For Delex Models 2170, 2171 Series**



Delex Repair Kits Nos. 1740, 3569

**Delex Two Handle Laundry Faucet
For Delex Models, 2121, 2123**

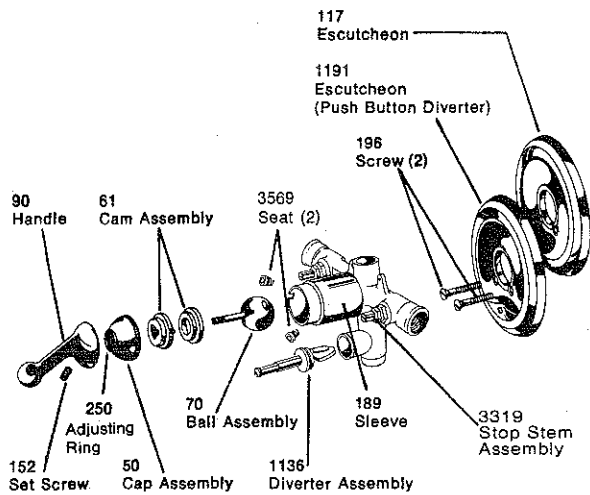


Delex Repair Kits Nos. 1740, 3569

Bath Valves

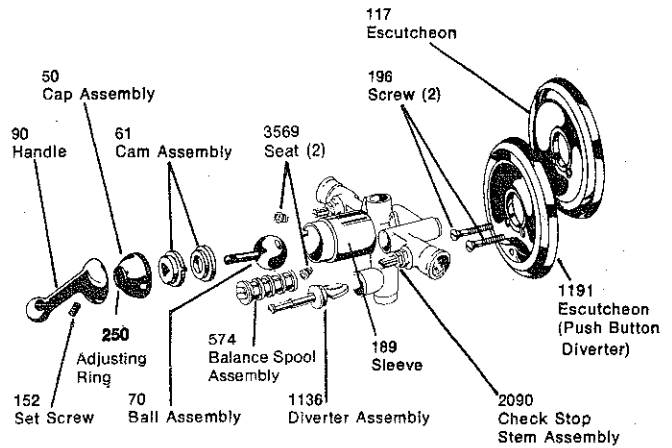
Delta Single Lever Bath Valve

For Delta Models 601, 605, 611, 621, 631, 635



Delta Single Lever Pressure Balanced Bath Valve

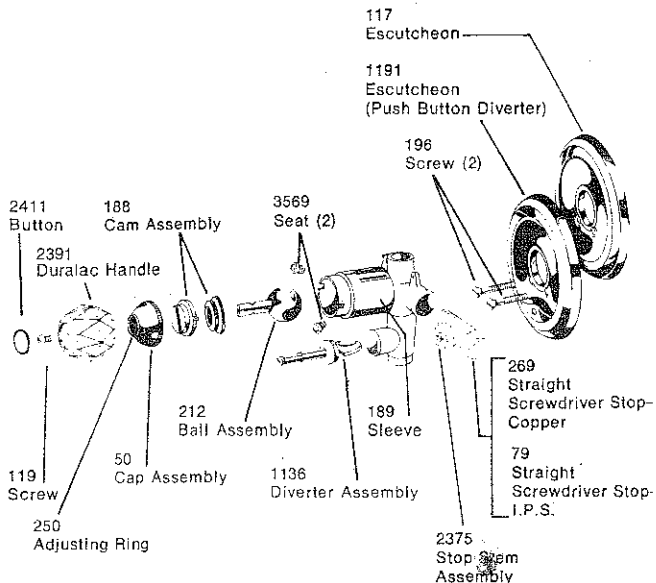
For Delta Models 603, 607, 623, 633, 637



Delta Repair Kits Nos. 3614, 3569

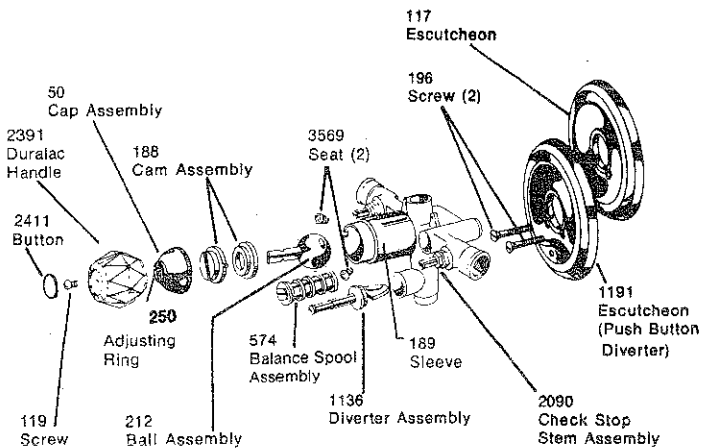
Delta Crystal Handle Series Bath Valve

For Delta Models 602, 612, 622, 632



Delta Crystal Handle Series Pressure Balanced Bath Valve

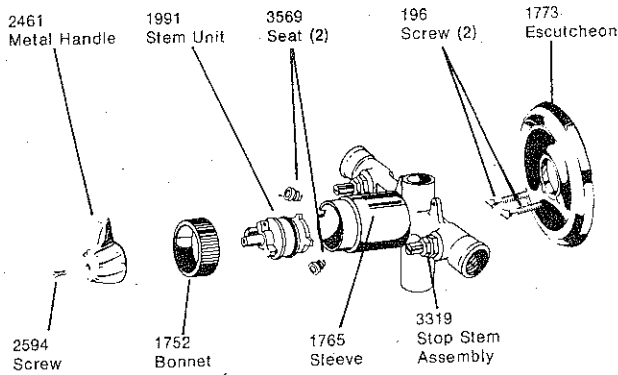
For Delta Models 604, 608, 624, 634, 638



Delta Repair Kits Nos. 3616, 3569

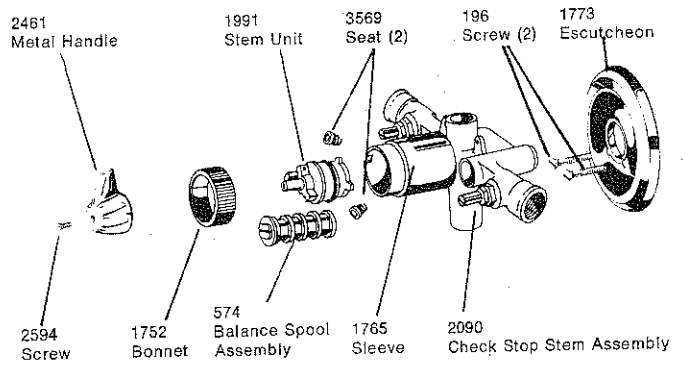
Scald Guard Bath Valve

Delta 1601 Series, Non-Pressure Balance Models



Scald Guard Bath Valve

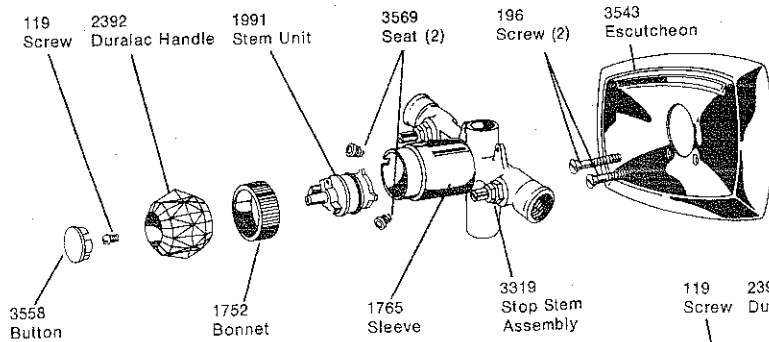
Delta 1601 Series, Pressure Balance Models



Delta Repair Kits Nos. 1991, 3569

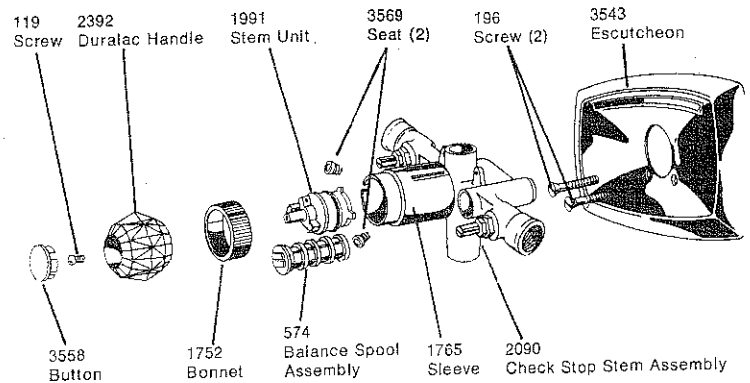
Scald Guard Bath Valve

Delta 1602 Series, Non-Pressure Balance Models



Scald Guard Bath Valve

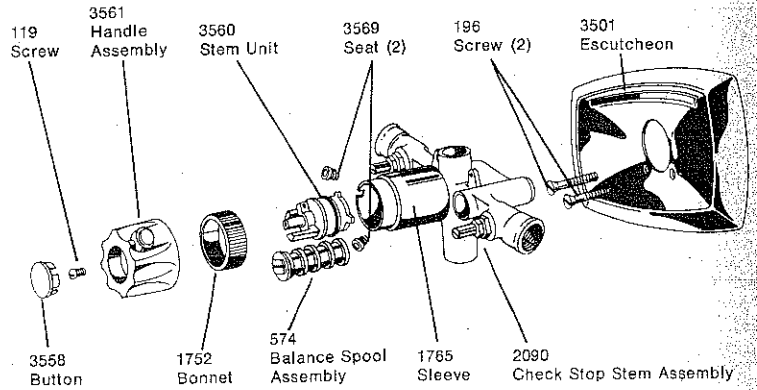
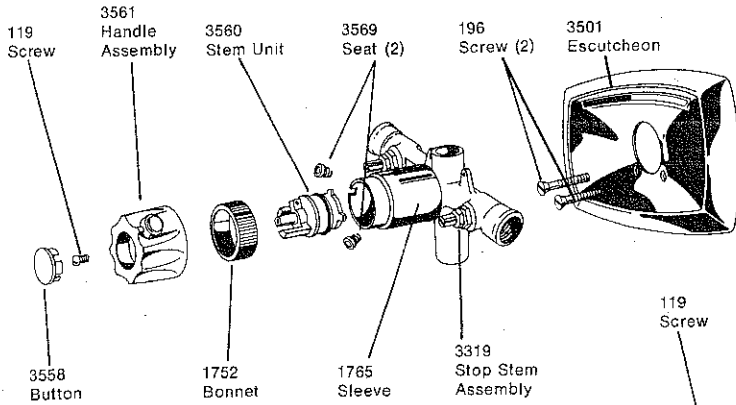
Delta 1602 Series, Pressure Balance Models



Delta Repair Kits Nos. 1991, 3569

Scald Guard Bath Valve
Delta 1700 Series, Non-Pressure Balance Models

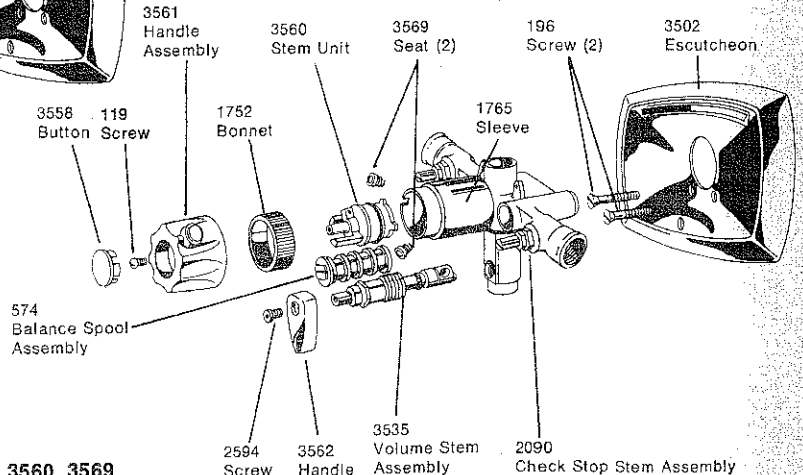
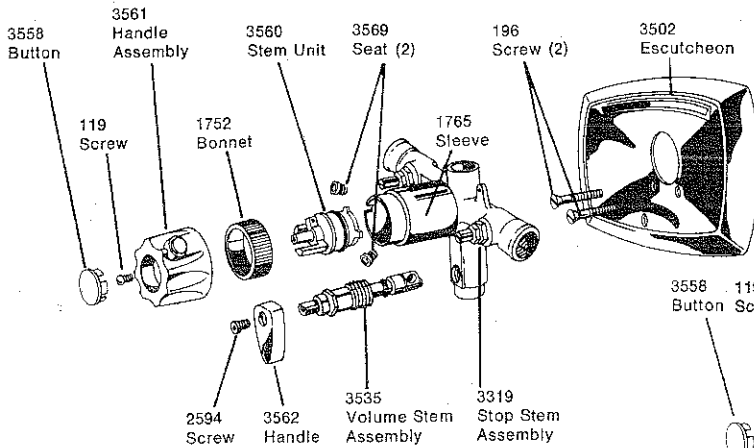
Scald Guard Bath Valve
Delta 1700 Series, Pressure Balance Models



Delta Repair Kits Nos. 3560, 3569

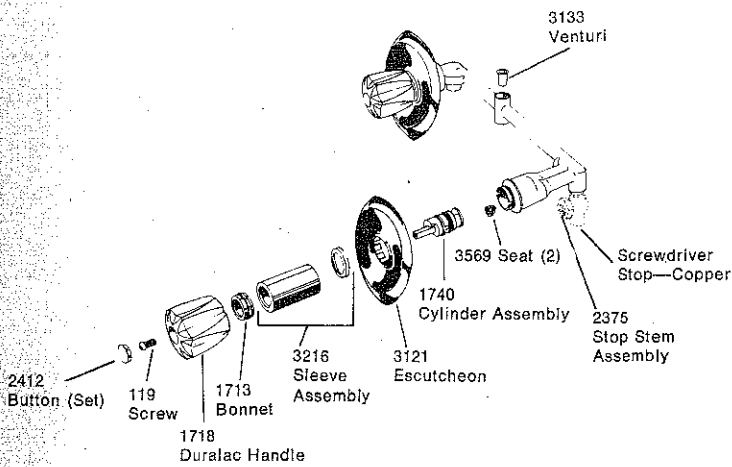
Scald Guard Bath Valve
Delta 1800 Series, Non-Pressure Balance Models

Scald Guard Bath Valve
Delta 1800 Series, Pressure Balance Models

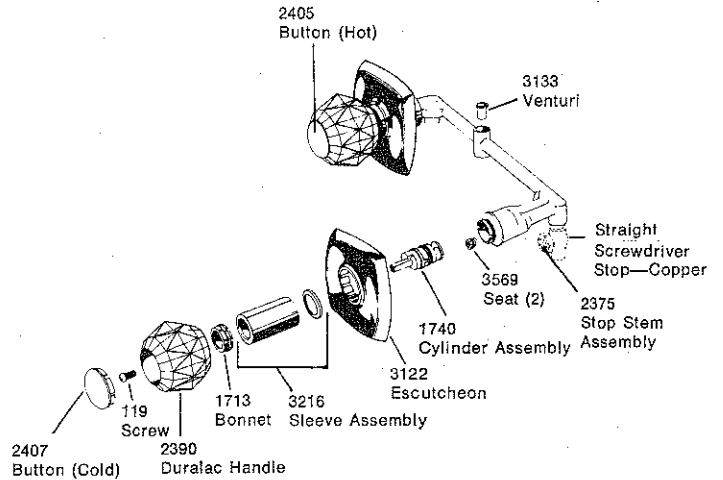


Delta Repair Kits Nos. 3560, 3569

Delex Two Handle Bath Valve 8" Centers
 Models 2600-C, 2610-C, 2620-C, 2640-C

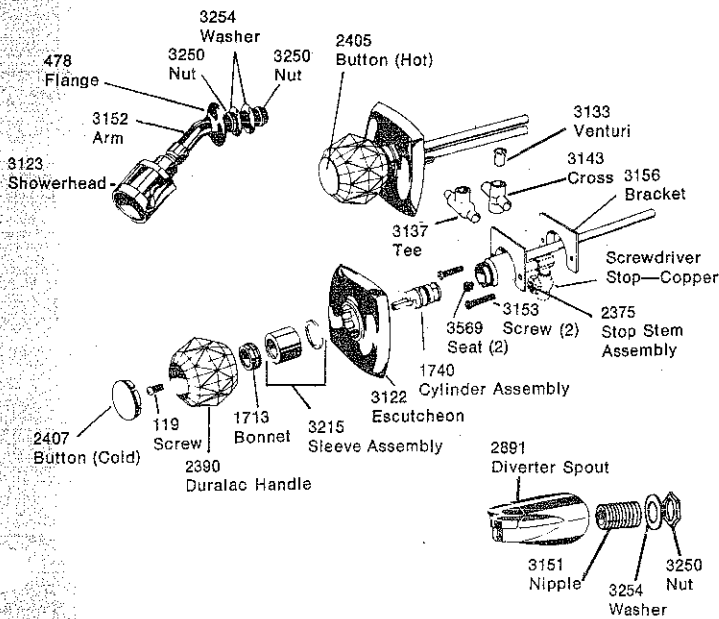


Delex Deluxe Two Handle Bath Valve 8" Centers
 Models 2602-C, 2612-C, 2622-C, 2632-C-SG, 2642-C

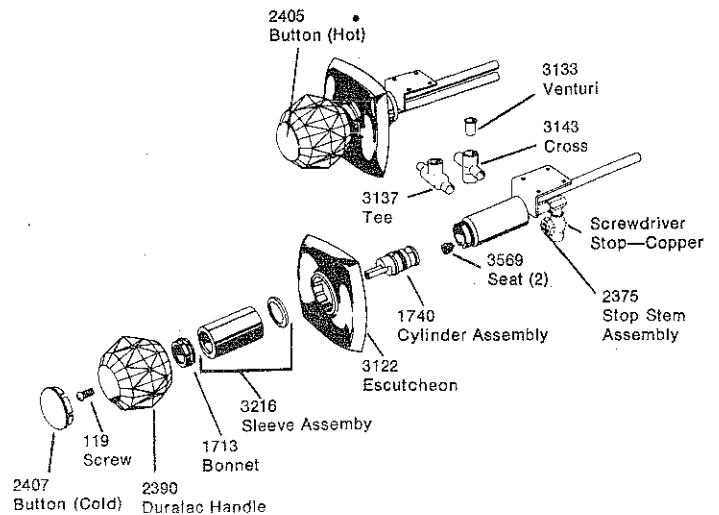


Delex Repair Kits No. 1740, 3569

Delex Two Handle Bath Valve Fiberglass Mount
 Models 2702, 2716, 2726, 2736-SG, 2746



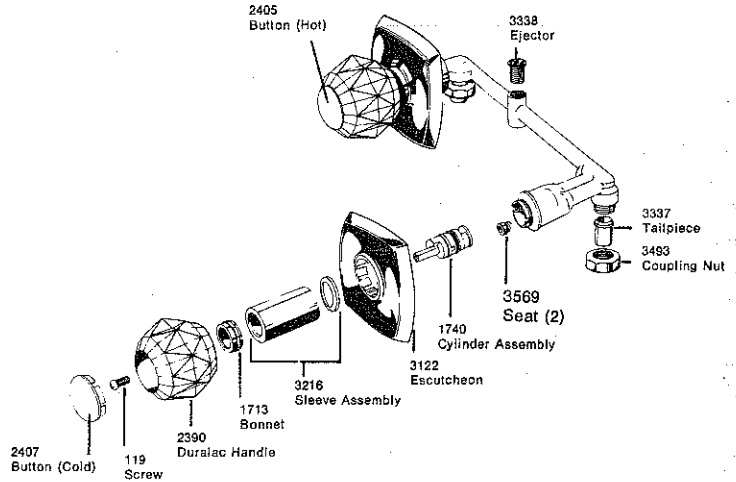
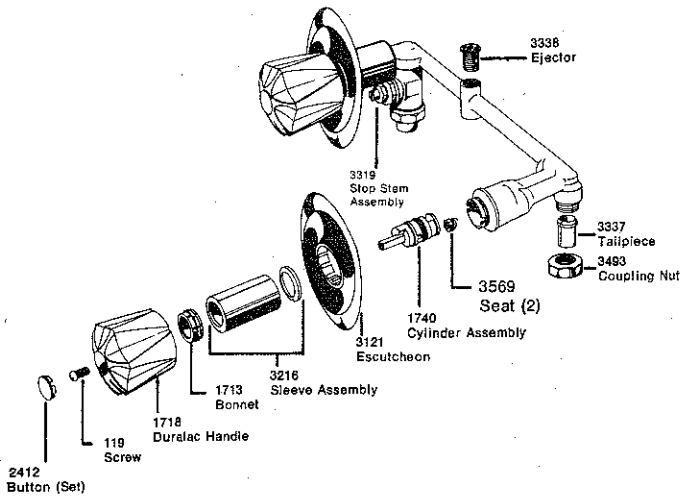
Delex Two Handle Bath Valve Flexible Mount Widespread
 Model 2700, 2712, 2722, 2732-SG, 2742



Delex Repair Kits Nos. 1740, 3569

Delex Two Handle Bath Valve 8" Centers
Models 2800, 2810, 2820, 2840.

Delex Deluxe Two Handle Bath Valve 8" Centers
Models 2802, 2812, 2822, 2842.

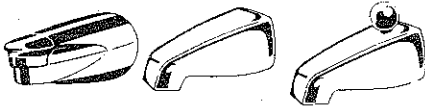


Delex Repair Kits Nos. 1740, 3569

Accessories

Tub Spouts

For all Delta/Delex Bath Valves

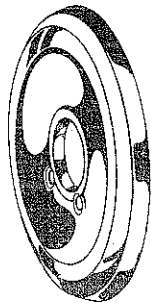


2891 Diverter Spout 473 Tub Spout 472 Brass Diverter Spout

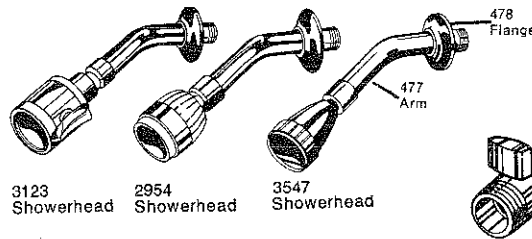
Delta Deep Escutcheon

For Installing Valve up to 1" Deeper in Wall Than Normal

417



Delta/Delex Shower Assembly
For All Delta/Delex Mixing Valves



3123 Showerhead 2954 Showerhead 3547 Showerhead

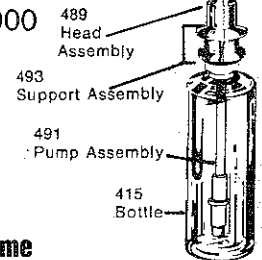


Delta Spray 'Round Swivel Spray Aerator
2189

Adjustable Volume Control 2955

Delta Dispenser
Same on all Models
Complete Unit

1000



489 Head Assembly
493 Support Assembly
491 Pump Assembly
415 Bottle

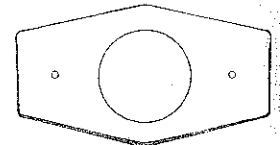
Delta Rose Spray

1381—For use on Delta Model 710 only
88—For use on all other Delta/Delex Deck and Lavatory Models



Reducer 3327

1/4" CWT to 1/2" CWT



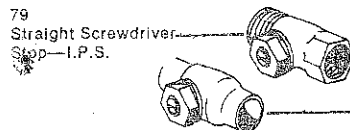
Delta Shower Plate

Designed to Cover Opening of 8" Two Handle Faucets
13" Long and 7 1/2" High

557—Chrome
557G—Gold
557SG—Satin Gold

Screwdriver Stops

For conventional Delta and Delex Bath Valves

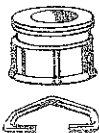


79 Straight Screwdriver Stop—I.P.S.

269 Straight Screwdriver Stop—Copper

Vandal Proof Aerator

Fits all Delta/Delex Kitchen and Lavatory Faucets
246



Delta·Delex Parts List Prices

PART NO.	DESCRIPTION	LIST PRICE	PART NO.	DESCRIPTION	LIST PRICE
4	Gasket	\$.07	557	Plate	\$11.45
5	Washer	.26	557	Plate (G)	25.45
7	Flange	1.66	557	Plate (SG)	31.80
23	Sleeve	.77	574	Balance Spool Assembly	12.69
24	Rod Guide Assembly	2.75	769	Adapter	.81
25	"O" Ring (4)	.77	1000	Dispenser	8.90
27	Washer	.20	1001	Escutcheon	14.42
28	Nut	.13	1003	Cover Insert Assembly	1.92
50	Cap Assembly (with 250 Adjusting Ring)	2.86	1006	Connector (2)	2.04
58	Shampoo Spray & Hose Assembly	8.04	1007	Spray Bracket	4.14
61	Cam Assembly	.64	1010	Spout—10"	9.19
70	Ball Assembly, All Delta Single Handle Lever Valves	2.55	1012	Spout—12"	12.18
79	Straight Screwdriver Stop—I.P.S.	5.05	1072	Base	1.92
88	Rose Spray	3.83	1136	Diverter Assembly	4.39
90	Handle—with 152 Screw	3.32	1191	Escutcheon (Push Button Diverter)	5.36
91	Handle—with 152 Screw	5.10	1381	Rose Spray (Model 710 Only)	9.58
103	Spout—Wall Mount	8.93	1506	Handle	2.24
104	Spout—4"	8.68	1507	Flexible Hose	1.99
106	Spout—6"	8.81	1513	Escutcheon	1.79
108	Spout—8"	8.93	1514	Base	1.02
117	Escutcheon	5.36	1515	Gasket	.13
119	Screw	.13	1516	Washer	.21
120	Nut (2)	.20	1517	Nut	.64
128	Escutcheon	3.66	1518	Bonnet	.95
141	Gooseneck Spout with Aerator	37.51	1519	Shank	1.48
152	Set Screw	.58	1520	Base	1.09
167	Stud	.58	1521	Lift Rod	2.69
168	Washer (2)	.13	1540	Washer	.13
182	Washer (2)	.13	1541	Nut	.20
188	Cam Assembly	1.09	1563	Spout Assembly (Complete)	22.97
189	Sleeve	1.22	1571	Pop-Up Guide	6.64
196	Screw (2)	.51	1574	Pop-Up Complete W/1521 Rod, Delta W/S	10.21
202	Dish Quick	11.48	1652	Washer (2)	.21
212	Ball Assembly	2.55	1653	Nut (2)	.39
215	Bracket Adapter	2.43	1703	Base	1.28
237	Gasket	.26	1707	Escutcheon	5.10
239	Washer (2)	.13	1708	Undercover Plate	.44
246	Vandal Proof Aerator	4.89	1713	Bonnet	.51
247	Nut (2)	.13	1717	Blade Handle	.82
250	Adjusting Ring	.64	1718	Duralac Handle (Clear)	.82
269	Straight Screwdriver Stop—Copper	5.05	1719	Lock Nut	.64
320	Diverter Assembly	1.28	1721	Escutcheon	3.83
330	Aerator Assembly	1.73	1723	Button	.13
350	Hose & Spray Assembly	7.88	1724	Screw	.07
351	Hose only (48")	2.94	1733	Spout Nut	1.02
352	Hose & Spray Assembly	7.60	1734	Spout Assembly	8.93
371	Spray Support Assembly (Kitchen)	1.28	1740	Stem Unit	2.30
415	Bottle	.95	1741	Diverter	3.12
417	Deep Escutcheon	6.50	1743	Base Gasket	.44
458	Washer (2)	.26	1746	Spray Assembly and 48" Hose	7.88
472	Diverter Tub Spout	11.16	1752	Bonnet	1.02
473	Tub Spout	3.20	1765	Sleeve	1.22
477	Arm	3.37	1773	Escutcheon	4.59
478	Flange	.95	1807	Shampoo Spray only (White)	3.71
489	Head Assembly	3.45	1930	Base	1.28
491	Pump Assembly	2.94	1939	Lock Nut	.64
493	Support Assembly	3.83	1940	Base	1.28
			1941	Washer	.39

PART NO.	DESCRIPTION	LIST PRICE	PART NO.	DESCRIPTION	LIST PRICE
2004	Nut (2)	\$.13	3151	Nipple	\$.56
2007	Complete Pop-Up Assembly (Delta)	9.58	3152	Arm	3.37
2055	"O" Ring (3)	.82	3153	Screw	.11
2056	Blade Handle	.82	3156	Bracket	.77
2068	Spout Assembly	17.86	3162	Aerator	1.73
2072	Button (Hot)	.07	3163	Spout Assembly	17.86
2073	Button (Cold)	.07	3164	Tee	1.90
2090	Check Stop Stem Assembly	1.92	3215	Sieve Assembly	1.16
2181	Aerator	1.73	3216	Sieve Assembly	1.16
2189	Spray Round	4.50	3250	Nut	.17
2303	Spout Assembly	17.86	3254	Washer	.27
2375	Stop Stem Assembly	2.55	3282	Lock Nut	.54
2389	Duralac Handle	2.24	3319	Stop Stem Assembly	2.44
2390	Duralac Handle	2.24	3327	Reducer (2) Optional (1/4" cwt to 1/2" cwt)	1.63
2391	Duralac Handle	2.24	3336	Spout (less hose thread)	5.15
2392	Duralac Handle	2.24	3337	Tailpiece	.84
2393	Lever Handle (with 152 Screw)	3.32	3338	Ejector	.20
2401	Button (SET)	1.13	3352	Escutcheon	3.14
2405	Button "H"	.61	3353	Undercover Plate	.50
2407	Button "C"	.61	3357	Bonnet	1.02
2411	Button	.93	3364	Gooseneck Spout	11.75
2412	Button (SET)	.27	3365	"O" Ring	.05
2461	Meta! Handle	4.78	3366	Retaining Ring	.10
2594	Screw	.44	3493	Coupling Nut	.85
2891	Diverter Spout	6.89	3501	Escutcheon	5.58
2954	Showerhead	3.85	3502	Escutcheon (Volume Control)	6.93
2955	Volume Control	2.70	3535	Volume Control Assembly	2.39
3005	Flange	1.92	3541	Laundry Spout Assembly	5.15
3006	Tailpiece	2.61	3543	Escutcheon	5.58
3007	Gasket	.13	3547	Showerhead	4.50
3008	Pivot Seat	.13	3558	Button	.72
3009	Nut	.71	3561	Handle Assembly	5.29
3010	Horizontal Rod—with Clip	.90	3562	Handle	.86
3013	Stopper (Delta)	1.15	1991	Repair Kit—Scald-Guard models without Hot-Stop Button—Contains (2) 3569 seats, (1) 1991 stem unit.	5.87
3017	Strap Assembly	.64	3560	Repair Kit—Scald-Guard models with Hot-Stop Button—Contains (2) 3569 seats and (1) 3560 stem unit.	5.87
3020	Knob and Rod Assembly	1.53	3569	Repair Kit—All Delta, Delex and Scald-Guard models—Contains (2) 3569 seats.	.79
3024	Nut	.77	(Replaces Kit 134)		
3025	Washer	.13	3614	Repair Kit—All Delta lever single handle valves—Contains (4) 25 "O" rings, (1) 61 cam assembly, (2) 3569 seats (1) 1974 wrench.	2.01
3026	Gasket	.21	(Replaces Kit 1)		
3027	Spring Clip Only	.13	3616	Repair Kit—All Delta crystal single handle valves, other than Scald-Guard models—Contains (2) 3569 seats, (1) 188 cam assembly, (1) 1974 wrench.	1.88
3028	Horizontal Rod—with Clip (long)	1.59	(Replaces Kit 2)		
3121	Escutcheon	2.44	3734	Spout Assembly	22.97
3122	Escutcheon	2.44			
3123	Showerhead	9.80			
3133	Venturi	.27			
3137	Tee	1.90			
3143	Cross	3.74			

PRICES: All prices subject to change without notice. Orders will be invoiced at prices prevailing at time of shipment.

LIMITED WARRANTY: All parts of the DELTA® and DELEX® faucets are warranted to the original consumer purchaser to be free from defects in material and workmanship for a period of two (2) years from date of purchase as shown on purchaser's receipt.

Delta/Delex will replace, FREE OF CHARGE, during the warranty period, any part which proves defective in material and/or workmanship under normal installation, use, and service. Replacement parts can be obtained from your local dealer or distributor listed in the telephone directory or by returning the part to our factory, TRANSPORTATION CHARGES PREPAID, at the address below. THIS WARRANTY IS LIMITED TO DEFECTIVE PARTS REPLACEMENT ONLY. LABOR CHARGES AND/OR DAMAGE INCURRED IN INSTALLATION, REPAIR, OR REPLACEMENT AS WELL AS INCIDENTAL AND CONSEQUENTIAL DAMAGES CONNECTED THEREWITH ARE EXCLUDED.

Some states do not allow the exclusion or limitation of incidental or consequential damages, so the above limitation or exclusion may not apply to you.

Any damage to this faucet as a result of misuse, abuse, neglect, accident, improper installation, or any use violative of instructions furnished by us, WILL VOID THE WARRANTY.

This warranty gives you specific legal rights, and you may also have other rights which vary from state to state. In the event of a problem with warranty service or performance, you may be able to go to a small claims court, a state court, or a federal district court.

RETURNED GOODS: Cannot be returned without proper authorization from the factory. Material returned with our consent will be credited less transportation and 15% handling.

