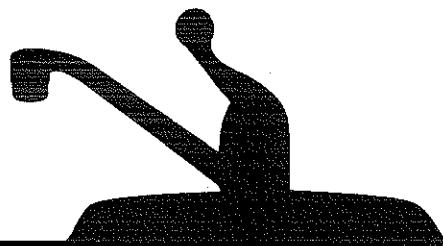


DELTA



DELTA FAUCET COMPANY

REPLACEMENT PARTS AND ACCESSORIES CATALOG



ADDENDUM
INCLUDES ALL PRODUCTS INTRODUCED SINCE 1986

INDEX

KITCHEN FAUCETS

3-12

MODELS	PAGE(S)	MODELS	PAGE(S)	MODELS	PAGE(S)
130	3,4	2467BC	7,8	RP100GR	9,10
130AL	3,4	21400	9,10	RP100MB	9,10
130WH	3,4	21400	9,10	RP100PC	9,10
172	5,6	25100AL	11,12	RP100RD	9,10
173	5,6	25100GR	11,12	RP100WH	9,10
174	5,6	25100RD	11,12	RP400AL	9,10
430	3,4	25100WH	11,12	RP400GR	9,10
430AL	3,4	25400AL	11,12	RP400PC	9,10
430WH	3,4	25400GR	11,12	RP400RD	9,10
2167	7,8	25400RD	11,12	RP400WH	9,10
2167BC	7,8	25400WH	11,12		
2467	7,8	RP100AL	9,10		

LAVATORY FAUCETS

13-18

MODELS	PAGE(S)	MODELS	PAGE(S)	MODELS	PAGE(S)
2567	13,14	3567BC	15,16	25520RD	17,18
2567BC	13,14	25520AL	17,18	25520WH	17,18
3567	15,16	25520GR	17,18		

BATH VALVES

19-29

MODELS	PAGE(S)	MODELS	PAGE(S)	MODELS	PAGE(S)
908	26,27	1687	21,22	2867WS	23,24
1504	19,20	1687BC	21,22	2877	23,24
1504BRS	19,20	1688	21,22	2877BC	23,24
1508	19,20	1688BC	21,22	2877BCWS	23,24
1508BRS	19,20	2710	26,27	2877WS	23,24
1524	19,20	2710ABSHP	26,27	2887	23,24
1524BRS	19,20	2710BC	26,27	2887BC	23,24
1538	19,20	2710BCSHP	26,27	2887BCWS	23,24
1538BRS	19,20	2710CBBRS	26,27	2887WS	23,24
1548	19,20	2710CG	26,27	25621AL	25
1548BRS	19,20	2710CGSHP	26,27	25621GR	25
1667	21,22	2710SHP	26,27	25621RD	25
1667BC	21,22	2767	28,29	25621WH	25
1677	21,22	2767BC	28,29	25641AL	25
1677BC	21,22	2867	23,24	25641GR	25
1678	21,22	2867BC	23,24	25641RD	25
1678BC	21,22	2867BCWS	23,24	25641WH	25

HAND SHOWERS

30

BIDET VALVES

31, 32

BATH WASTES

33



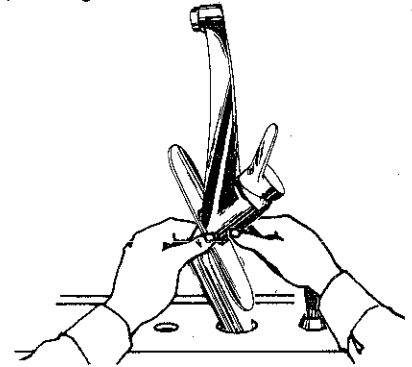
WRITE PURCHASED MODEL NUMBER HERE
FOR FUTURE REFERENCE.

INSTALLATION GUIDE

SHUT OFF WATER SUPPLIES

1. Place base, washer (11), retaining seal, escutcheon (12), spacer ring (13) and gasket (14) on faucet. NOTE: If single hole mounting is desired remove and discard the retaining seal, escutcheon, spacer ring and gasket. Place gasket (20) into recess in base. FOR MODELS WITHOUT SPRAY, MOVE TO STEP 4.

2. FOR MODELS WITH SPRAY, mount spray support (19) in far right hole in sink. Insert hose (18) down through spray support and up through second hole from left on sink.



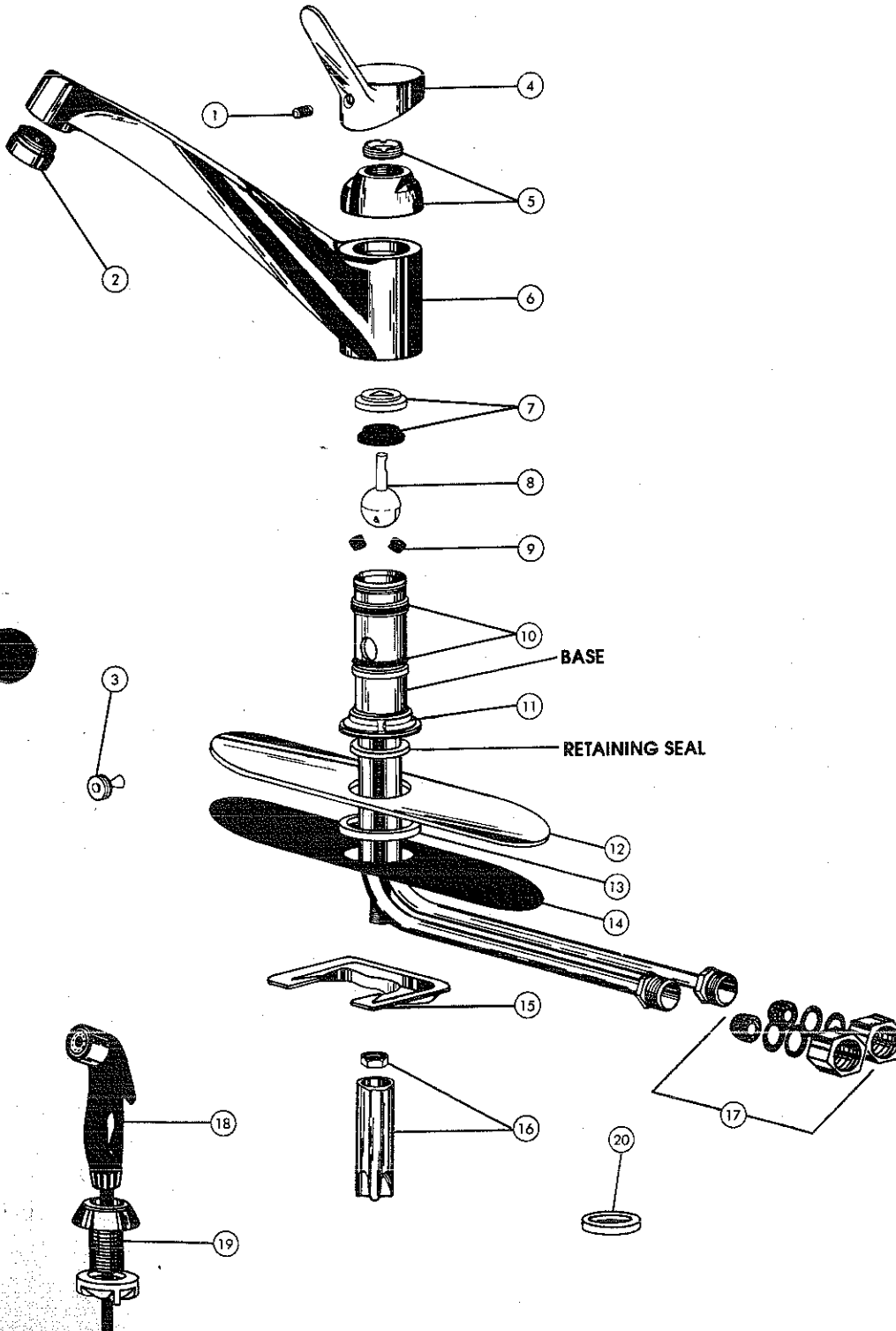
3. Attach spray hose tightly to nipple on faucet. USE TEFLON TAPE TO SEAL THREADS. 4. Without straightening copper inlet tubes, feed tubes down through center hole of sink. Secure faucet to sink using mounting bracket (15), nut and wrench (16). 5. Gently bend tubes to align with water supplies. CAUTION: KINKED TUBES WILL VOID THE WARRANTY.

6. Make connections to water lines. If you have 3/8" O.D., 7/16" O.D., or 1/2" O.D. copper tube supplies, use hook-up kit (17), supplied with your faucet. For 3/8" and 7/16" copper tubes, use one washer with large inside diameter and one washer with small inside diameter per fitting. For 1/2" copper tubes use only the washers with the larger inside diameter and discard the smaller washers.

7. IMPORTANT-After connections have been made, remove aerator (2), secure handle on faucet and turn to full on mixed position. Turn on water supplies, check for leaks and let lines flush for one minute without moving faucet handle. This will remove debris from lines which can damage internal parts of faucet and create leaks. After flushing shut off water at faucet and replace aerator.

HELPFULL HINTS:

1. If sink is uneven or gasket does not properly seal, use of plumbers putty in place of gasket may be required.
2. Wrench is designed to accept a large flat bladed screwdriver to extend reach for easier installation.



LEAVE THIS INSTRUCTION SHEET WITH INSTALLED FAUCET!



KEY	PART DESCRIPTION	ORDER NUMBER	MODELS					
			130	130AL	130WH	430	430AL	430WH
1.	Set Screw	RP16395	●	●	●	●	●	●
2.	Aerator	RP330	●	●	●	●	●	●
		RP330 AL						
		RP330 WH						
3.	Diverter Assembly	RP320	●	●	●	●	●	
4.	Handle w/Set Screw	RP16397	●	●	●	●	●	
		RP16397 AL						
		RP16397 WH						
5.	Cap w/Adjusting Ring	RP16399	●	●	●	●	●	
		RP16399 AL						
		RP16399 WH						
6.	Spout Assembly	RP16400	●	●	●	●	●	
		RP16400 AL						
		RP16400 WH						
7.	Cam Assembly	RP61	●	●	●	●	●	
8.	Ball Assembly	RP70	●	●	●	●	●	
9.	Seats and Springs	RP4993	●	●	●	●	●	
10.	O-Rings	RP25	●	●	●	●	●	
11.	Washer	RP16398	●	●	●	●	●	
12.	Escutcheon	RP13936	●	●	●	●	●	
		RP13936 AL						
		RP13936 WH						
13.	Spacer Ring	RP16471	●	●	●	●	●	
14.	Gasket	RP13937	●	●	●	●	●	
15.	Mounting Bracket	RP11721	●	●	●	●	●	
16.	Nut and Wrench	RP11722	●	●	●	●	●	
17.	Hook-Up Kit	RP12303	●	●	●	●	●	
18.	Spray & Hose Assembly	RP6011						
		RP6011 AL						
		RP6011 WH						
19.	Spray Support	RP6015						
		RP6015 AL						
		RP6015 WH						
20.	Gasket	SUPPLIED WITH FAUCET						

MODEL AND ORDER NUMBER SUFFIXES:
AL = Almond, WH = White

MAINTENANCE

WHEN PERFORMING ROUTINE MAINTENANCE, DO NOT VOID YOUR WARRANTY BY INSTALLING NON-GENUINE PARTS. USE ONLY AUTHORIZED PARTS THAT CARRY THE DELTA® GENUINE PARTS LOGO. YOU WILL FIND DETAILED MAINTENANCE INSTALLATION INSTRUCTIONS ON THE BACK OF ALL OF OUR CARDED REPAIR KITS.

IMPORTANT-After any maintenance, Thoroughly flush the faucet as previously stated in the installation instructions.

TROUBLE SHOOTING

CONDITION	REMEDY
Faucet leaks from under handle	Remove handle and tighten adjusting ring*
If leak persists	Replace Ball Assembly- Repair Kit RP70 and Cam Assembly- Repair Kit RP61**
Faucet leaks from spout outlet	Replace Ball Assembly- Repair Kit RP70 and Seats and Springs- Repair Kit RP4993**
Faucet leaks from around spout body	Replace O-Rings- Repair Kit RP25**
Spray attachment does not function properly	Remove diverter assembly and clean. If condition continues after cleaning replace Diverter Assembly- Repair Kit RP320

* Never tighten cap assembly to stop a leak, always tighten adjusting ring.
** Partially unscrew adjusting ring before attempting to remove cap assembly. Always install cap assembly hand tight, then tighten adjusting ring.

CARE INSTRUCTIONS: Your Delta®Faucet is designed and engineered in accordance with the highest quality and performance standards, with proper care, it will give you years of trouble free service. Care should be given to the cleaning of this product. Although its finish is extremely durable, it can be damaged by harsh abrasives or polish. To clean, wipe gently with a damp cloth and blot dry with a soft towel.

INSTACLEAN® Aerator cleaning instructions. To clean, simply press stem on face of aerator upward and slowly turn on the cold water. Adjust the flow so that the aerator makes a buzzing sound; let water flow for 10 seconds.

CONSUMER WARNING

WARNING: This product contains a chemical known to the State of California to cause birth defects or other reproductive harm.

Most materials used in plumbing products contain small quantities of various chemicals known or suspected to cause birth defects, other reproductive harm or cancer. Specifically, lead is present in this and other brass faucets, brass plumbing fittings and in much of the solder used to hold copper pipes together. Other listed chemicals are found in rubber and plastic compounds used in faucets, fittings and tubings. You may be exposed to minute quantities of such chemicals through the normal use of your plumbing system. Hot water accelerates the dissolving of such chemicals from brass, as well as from rubber and plastic components. Moreover, the water which is held for several hours by a closed faucet may dissolve chemicals out of the faucet and the rest of the plumbing system, particularly where the water is corrosive.

You can greatly reduce unnecessary exposure to chemicals dissolved from faucets and nearby plumbing by taking the following steps:

- 1) Never drink the first glass of water out of the tap when the water has been standing unused for several hours, during the day or overnight. Run the faucet for a few seconds to "flush" it and nearby plumbing components, or for no more than 30 seconds to "flush" the average home of standing water to building service water line.
- 2) Avoid drinking or cooking with water drawn from the hot water side of the tap.
- 3) Should you wish to have your water tested, there are many private laboratories certified by the U.S. EPA, or your state's EPA, that can do such testing.

DELTA LIMITED WARRANTY

All parts of the Delta faucet are warranted to the original consumer purchaser to be free from defects in material and workmanship for a period of two (2) years. This warranty is made to the original consumer purchaser and shall be effective from date of purchase as shown on purchaser's receipt.

Delta Faucet Company will replace, FREE OF CHARGE, during the warranty period, any part which proves defective in material and/or workmanship under normal installation, use, and service. Replacement parts can be obtained from your local dealer or distributor listed in the telephone directory or by returning the part to our factory. TRANSPORTATION CHARGES PREPAID, at the address listed. THIS WARRANTY IS THE ONLY EXPRESS WARRANTY MADE BY DELTA FAUCET COMPANY AND IS LIMITED TO DEFECTIVE PARTS REPLACEMENT ONLY. ANY OTHER WARRANTIES INCLUDING THE IMPLIED WARRANTIES OF MERCHANTABILITY AND FITNESS FOR A PARTICULAR PURPOSE ARE LIMITED TO THE DURATION OF THIS WARRANTY. LABOR CHARGES AND/OR DAMAGE INCURRED IN INSTALLATION, REPAIR OR REPLACEMENT AS WELL AS INCIDENTAL AND CONSEQUENTIAL DAMAGES CONNECTED THEREWITH ARE EXCLUDED AND WILL NOT BE PAID BY DELTA FAUCET COMPANY.

Some states do not allow the exclusion or limitation of incidental or consequential damages, so the above limitation or exclusion may not apply to you.

This warranty is void for any damage to this faucet due to misuse, neglect, accident, improper installation, any use violative of instructions furnished by us, or any use of replacement parts other than genuine Delta parts.



A Division of Masco Corporation of Indiana
Route 46 West PO. Box 47
Greensburg, Indiana 47240

**NOTE: THESE FAUCETS ARE DESIGNED TO FIT A
 MAXIMUM COUNTERTOP THICKNESS OF 1".**



**WRITE PURCHASED MODEL NUMBER HERE
 FOR FUTURE REFERENCE.**

INSTALLATION GUIDE

SHUT OFF WATER SUPPLIES

1. Apply Teflon tape to 1/4" iron pipe male threads of hose (13) and thread into female threads of spout body S/A (21). Tighten with 1/32" open end wrench, small crescent wrench or channel lock pliers, small crescent wrench or channel lock pliers. 1/32" open end wrench is a standard automotive wrench.

2. Remove nut, washer (22) and paper tube from spout body S/A (21) and mount in sink making sure gasket (11) is properly aligned under base and secure with washer and nut (22). Tighten with standard 5/16" open end wrench or a plumbers basin wrench. Install spout assembly (15) to body S/A (21).

3. Place base and gasket (10) on valve assembly. Without straightening copper tubes, insert tubes down through hole in sink. Position valve assembly with completely threaded nipple toward back of sink.

4. Install bracket (30) on completely threaded nipple and tighten nut with wrench (12).¹

NOTE: FOR MODEL 173 WITHOUT SPRAY, PROCEED TO STEP 7.

5. Mount spray support assembly (29) in far right hole in sink. **HAND TIGHTEN ONLY.** Insert spray hose (28) down through spray support.

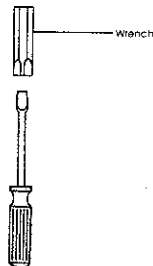
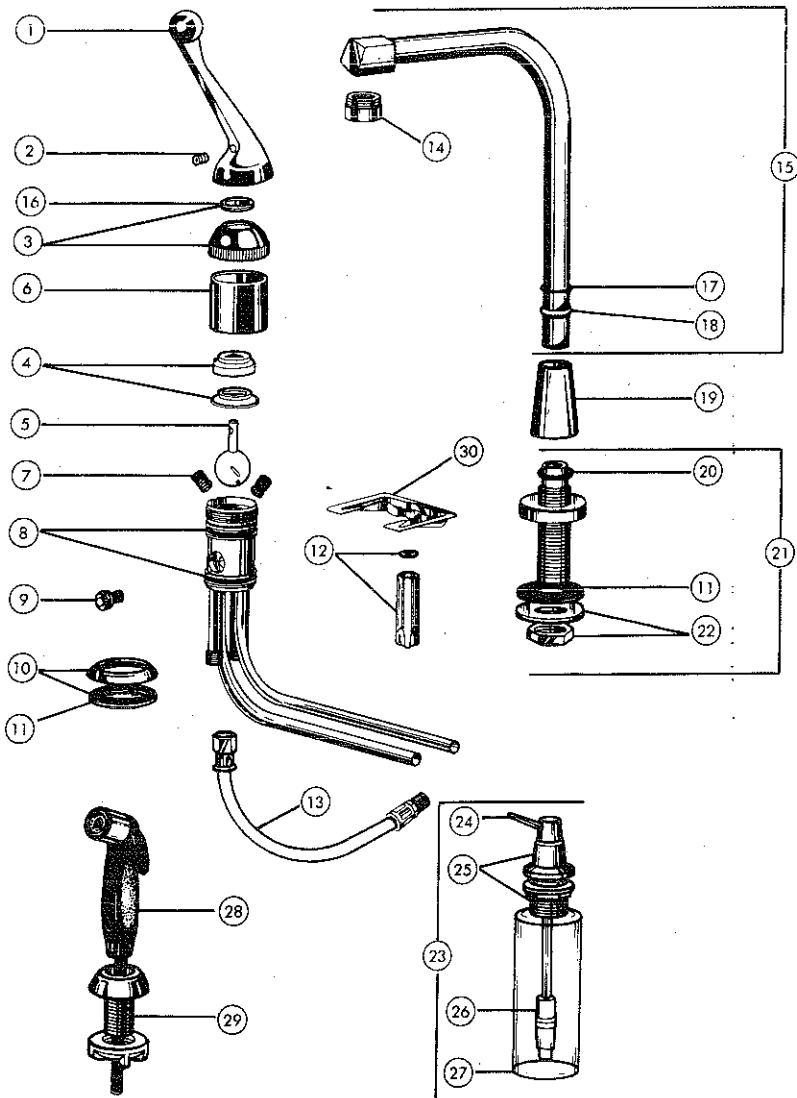
6. Thread female swivel end of spray hose (28) onto completely threaded (1/4" male straight pipe threads) nipple. Teflon tape is not required. Tighten with standard 1/32" open end wrench or small crescent wrench or channel lock pliers.

7. Thread female swivel end of spout hose (13) onto threaded (1/4" male straight pipe threads) nipple. Teflon tape is not required. Tighten with standard 1/32" open end wrench, small crescent wrench or channel lock pliers.

8. Gently bend tubes to align with water supplies. **CAUTION—KINKED TUBES WILL VOID WARRANTY.**

9. Make connections to water lines. After connections have been made, remove aerator (14). Turn faucet on to mixed position and then open water supplies. Allow water to flow for one minute to flush any debris from lines. Check for leaks. Replace aerator.

10. For models with dispenser, mount support assembly (25) in sink with washer and nut. Screw bottle (27) on shank and insert pump and head assembly (24). **NOTE:** Bottle should be filled by removing pump and head assembly.



HELPFUL HINTS:
¹Wrench is designed to accept large bladed screwdriver to ease tightening.

LEAVE THIS INSTRUCTION SHEET WITH INSTALLED FAUCET!



KEY	PART DESCRIPTION	ORDER NUMBER	MODELS		
			472	473	474
1	Handle w/Set Screw	RP2393	●	●	●
2	Set Screw	RP152	●	●	●
3	Cap Assy. w/Adjusting Ring	RP50	●	●	●
4	Cam Assy.	RP61	●	●	●
5	Ball Assy.	RP70	●	●	●
6	Escutcheon	RP6331	●	●	●
7	Seats & Springs	RP4993	●	●	●
8	"O" Rings	RP25	●	●	●
9	Diverter Assy.	RP320	●	●	●
10	Base w/Gasket	RP15442	●	●	●
11	Gasket	RP6052	●	●	●
12	Nut & Wrench	RP11722	●	●	●
13	Hose (1)	RP6050	●	●	●
14	Aerator	RP330	●	●	●
15	Spout Assy.	RP7908	●	●	●
16	Adjusting Ring	RP250	●	●	●
17	"O" Ring	RP5863	●	●	●
18	Retaining Ring	RP6227	●	●	●
19	Bonnet	RP6225	●	●	●
20	"O" Ring	RP6048	●	●	●
21	Body S/A	RP7451	●	●	●
22	Nut & Washer	RP6056	●	●	●
23	Dispenser Assy. (Complete)	RP1000	●	●	●
24	Pump & Head Assy.	RP5652	●	●	●
25	Support Assy.	RP6027	●	●	●
26	Pump Assy.	RP6573	●	●	●
27	Bottle	RP6017	●	●	●
28	Hose & Spray Assy.	RP6011	●	●	●
29	Support Assy.	RP6015	●	●	●
30	Bracket	RP11721	●	●	●

MAINTENANCE

WHEN PERFORMING ROUTINE MAINTENANCE, DO NOT VOID YOUR WARRANTY BY INSTALLING NON-GENUINE PARTS. USE ONLY AUTHORIZED PARTS THAT CARRY THE DELTA GENUINE PARTS LOGO. YOU WILL FIND DETAILED MAINTENANCE INSTALLATION INSTRUCTIONS ON THE BACK OF ALL OUR CARDED REPAIR KITS.

IMPORTANT—AFTER ANY MAINTENANCE THOROUGHLY FLUSH THE FAUCET AS PREVIOUSLY STATED IN THE INSTALLATION INSTRUCTIONS.

- IF FAUCET LEAKS FROM UNDER HANDLE—DO NOT SHUT OFF WATER SUPPLIES. Remove handle (1) and tighten adjusting ring (16)¹ until water no longer leaks from around stem when faucet is on and pressure is exerted to force ball assembly (5) into socket.
- IF LEAK PERSISTS—SHUT OFF WATER SUPPLIES, replace ball assembly (5) REPAIR KIT RP70 and cam assembly (4) REPAIR KIT RP61.²
- IF FAUCET LEAKS FROM SPOUT OUTLET—SHUT OFF WATER SUPPLIES, replace ball assembly (5) REPAIR KIT RP70 and seats and springs (7) REPAIR KIT RP4993.²
- IF FAUCET LEAKS FROM AROUND ESCUTHEON—SHUT OFF WATER SUPPLIES, replace O-Rings (8) REPAIR KIT RP25.²
- IF SPRAY ATTACHMENT DOES NOT FUNCTION PROPERLY—SHUT OFF WATER SUPPLIES, replace diverter assembly (9) REPAIR KIT RP320.²

HELPFUL HINTS:

- ¹NEVER tighten cap assembly to stop a leak, always tighten adjusting ring.
²PARTIALLY unscrew adjusting ring before attempting to remove cap assembly ALWAYS install cap assembly HAND TIGHT, then tighten adjusting ring.

CARE INSTRUCTIONS

Your Delta® Faucet is designed and engineered in accordance with the highest quality and performance standards. With proper care, it will give you years of trouble free service. Care should be given to the cleaning of this product. Although its finish is extremely durable, it can be damaged by harsh abrasives or polish. To clean, wipe gently with a damp cloth and blot dry with a soft towel.

INSTACLEAN® Aerator cleaning instructions. To clean aerator, simply press stem on face of the aerator upward and slowly turn on the cold water. Adjust the flow so that the aerator makes a buzzing sound; let water flow for 10 seconds.

DELTA LIMITED WARRANTY

All parts of the Delta faucet are warranted to the original consumer purchaser to be free from defects in material and workmanship for a period of two (2) years. This warranty is made to the original consumer purchaser and shall be effective from date of purchase as shown of purchaser's receipt.

Delta Faucet Company will replace, FREE OF CHARGE, during the warranty period, any part which proves defective in material and/or workmanship under normal installation, use, and service. Replacement parts can be obtained from your local dealer or distributor listed in the telephone directory or by returning the part to our factory. TRANSPORTATION CHARGES PREPAID, at the address listed. THIS WARRANTY IS THE ONLY EXPRESS WARRANTY MADE BY DELTA FAUCET COMPANY AND IS LIMITED TO DEFECTIVE PARTS REPLACEMENT ONLY. ANY OTHER WARRANTIES INCLUDING THE IMPLIED WARRANTIES OF MERCHANTABILITY AND FITNESS FOR A PARTICULAR PURPOSE ARE LIMITED TO THE DURATION OF THIS WARRANTY. LABOR CHARGES AND/OR DAMAGE INCURRED IN INSTALLATION, REPAIR OR REPLACEMENT AS WELL AS INCIDENTAL AND CONSEQUENTIAL DAMAGES CONNECTED THEREWITH ARE EXCLUDED AND WILL NOT BE PAID BY DELTA FAUCET COMPANY.

Some states do not allow the exclusion or limitation of incidental or consequential damages, so the above limitation or exclusion may not apply to you.

This warranty is void for any damage to this faucet due to misuse, neglect, accident, improper installation, any use violative of instructions furnished by us, or any use of replacement parts other than genuine Delta parts.



A Division of Masco Corporation of Indiana
 Route 46 West P.O. Box 47
 Greensburg, Indiana 47240



WRITE PURCHASED MODEL NUMBER HERE FOR FUTURE REFERENCE.

INSTALLATION INSTRUCTIONS

SHUT OFF WATER SUPPLIES

1. Place gasket (14) on faucet. FOR MODELS WITHOUT SPRAY, MOVE TO STEP (4).
2. FOR MODELS WITH SPRAY, mount spray support (18) in far right hole in sink. Insert spray hose (17) down through spray support and up through second hole from left on sink.
3. Attach spray hose tightly to nipple on faucet.
4. Set faucet in place on sink, using gasket (14)¹. Screw locknuts (15) onto faucet shanks. **HAND TIGHTEN ONLY**
5. Make connections to water lines. **IMPORTANT**—After connections have been made, remove aerator (2), turn handles to full on position. Turn on water supplies, check for leaks and let lines flush for one minute without moving faucet handles. This will remove debris from lines which can damage internal parts of faucet and create leaks. After flushing shut off water at faucet and replace aerator.

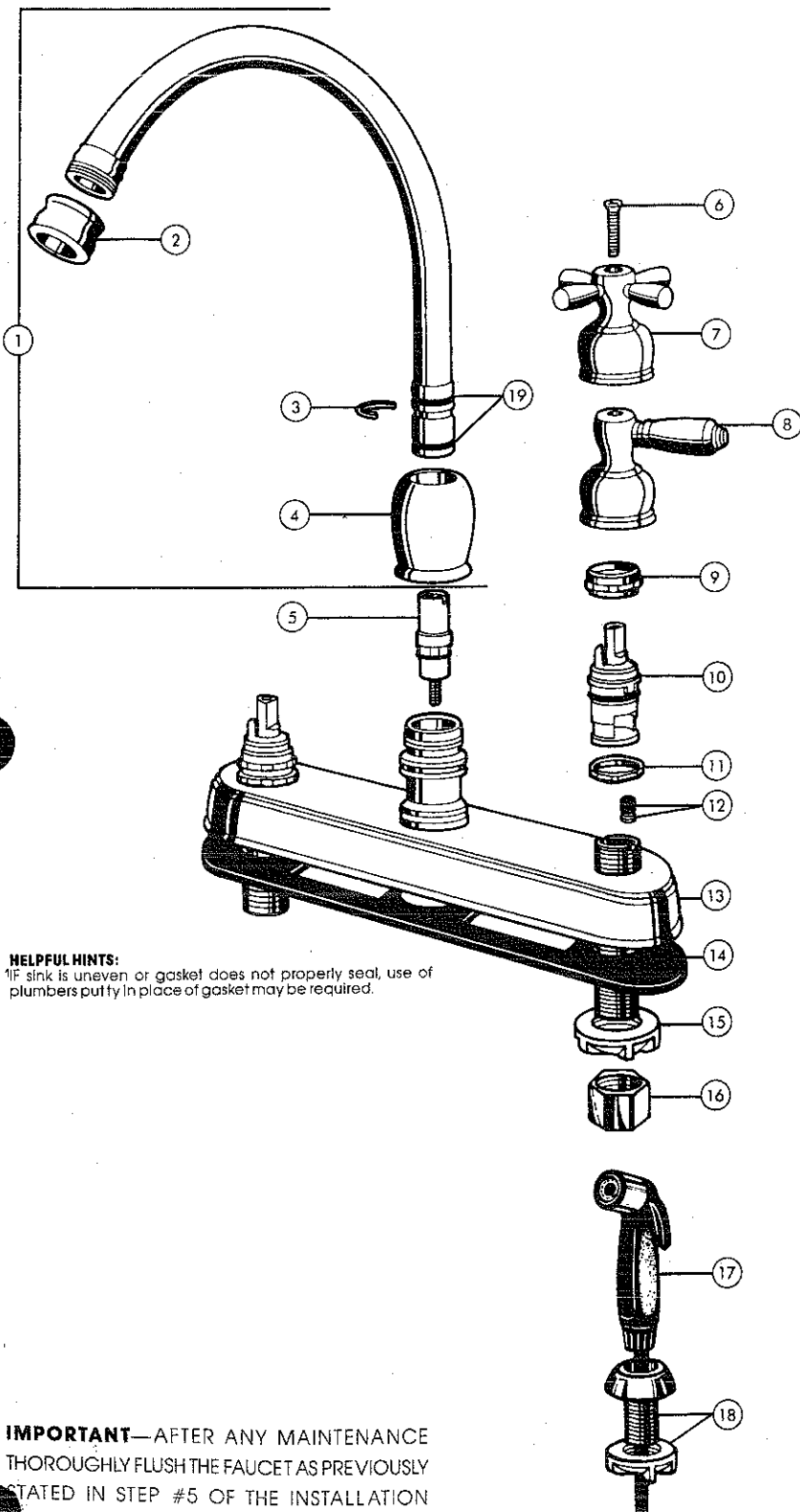
MAINTENANCE

WHEN PERFORMING ROUTINE MAINTENANCE, DO NOT VOID YOUR WARRANTY BY INSTALLING NON-GENUINE PARTS. USE ONLY AUTHORIZED PARTS THAT CARRY THE DELTA® GENUINE PARTS LOGO. YOU WILL FIND DETAILED MAINTENANCE INSTALLATION INSTRUCTIONS ON THE BACK OF ALL OUR CARDED REPAIR KITS.

1. IF FAUCET LEAKS FROM SPOUT—SHUT OFF WATER SUPPLIES, Replace seats and springs (12). * REPAIR KIT RP4993
2. IF LEAK PERSISTS—SHUT OFF WATER SUPPLIES, replace stem unit assembly (10). * REPAIR KIT RP1740

***IMPORTANT**—STEM UNITS MUST BE REPLACED CORRECTLY FOR PROPER HANDLE ROTATION. For cross handles (7), stem units must be installed so stops on stems point to center of faucet. For lever handles (8) stem units must be installed so stops on stems both point to the right.

3. IF FAUCET LEAKS FROM AROUND SPOUT BONNET—Replace O-Rings (19). REPAIR KIT RP7536
4. IF SPRAY ATTACHMENT DOES NOT FUNCTION PROPERLY—Replace diverter assembly (5). REPAIR KIT RP6073



HELPFUL HINTS:
¹If sink is uneven or gasket does not properly seal, use of plumbers putty in place of gasket may be required.

IMPORTANT—AFTER ANY MAINTENANCE THOROUGHLY FLUSH THE FAUCET AS PREVIOUSLY STATED IN STEP #5 OF THE INSTALLATION INSTRUCTIONS.

LEAVE THIS INSTRUCTION SHEET WITH INSTALLED FAUCET!



CARE INSTRUCTIONS

Your Delta® Faucet is designed and engineered in accordance with the highest quality and performance standards. With proper care, it will give you years of trouble free service. Care should be given to the cleaning of this product. Although its finish is extremely durable, it can be damaged by harsh abrasives or polish. To clean, wipe gently with a damp cloth and blot dry with a soft towel.

INSTACLEAN® Aerator cleaning instructions. To clean aerator, simply press stem on the face of the aerator upward and slowly turn on the cold water. Adjust the flow so that the aerator makes a buzzing sound; let water flow for 10 seconds.

KEY	PART DESCRIPTION	ORDER NUMBER	MODELS		
			2167	2167 BC	2467 BC
1.	Spout Assembly	RP15532	●	●	●
		RP15532BC	●	●	●
2.	Aerator	RP15533	●	●	●
		RP15533 BC	●	●	●
3.	Retaining Ring	RP15534	●	●	●
4.	Bonnet	RP15535	●	●	●
		RP15535 BC	●	●	●
5.	Diverter Assembly	RP6073	●	●	●
6.	Screws	RP7527	●	●	●
		RP7527 BC	●	●	●
7.	Handles-Cross	RP15081	*	*	*
		RP15081BC	*	*	*
		RP14788	*	*	*
		RP14788 OAK	*	*	*
8.	Handles-Lever	RP14788 WC	*	*	*
		RP14788 BC	*	*	*
		RP14788 BC OAK	*	*	*
		RP14788 WB	*	*	*
		RP6060	●	●	●
9.	Bonnets	RP6060 CG	●	●	●
		RP1740	●	●	●
10.	Stem Unit Assembly	RP1740	●	●	●
11.	Locknuts	RP6064	●	●	●
		RP6064 CG	●	●	●
12.	Seats and Springs	RP4993	●	●	●
13.	Escutcheon	RP15536	●	●	●
		RP15536 BC	●	●	●
14.	Gasket	RP15537	●	●	●
15.	Locknuts	RP6183	●	●	●
16.	Nuts	RP5861	●	●	●
17.	Spray and Hose Assembly	RP6077	●	●	●
		RP6077 BC	●	●	●
18.	Spray Support	RP6015	●	●	●
		RP6015 BC	●	●	●
19.	O-Rings	RP7536	●	●	●

*Available Handle Options

DELTA LIMITED WARRANTY

All parts of the Delta faucet are warranted to the original consumer purchaser to be free from defects in material and workmanship for a period of two (2) years. This warranty is made to the original consumer purchaser and shall be effective from date of purchase as shown on purchaser's receipt.

Delta Faucet Company will replace, FREE OF CHARGE, during the warranty period, any part which proves defective in material and/or workmanship under normal installation, use and service. Replacement parts can be obtained from your local dealer or distributor listed in the telephone directory or by returning the part to our factory. TRANSPORTATION CHARGES PREPAID, at the address listed. THIS WARRANTY IS THE ONLY EXPRESS WARRANTY MADE BY DELTA FAUCET COMPANY AND IS LIMITED TO DEFECTIVE PARTS REPLACEMENT ONLY. ANY OTHER WARRANTIES INCLUDING THE IMPLIED WARRANTIES OF MERCHANTABILITY AND FITNESS FOR A PARTICULAR PURPOSE ARE LIMITED TO THE DURATION OF THIS WARRANTY. LABOR CHARGES AND/OR DAMAGE INCURRED IN INSTALLATION, REPAIR OR REPLACEMENT AS WELL AS INCIDENTAL AND CONSEQUENTIAL DAMAGES CONNECTED THEREWITH ARE EXCLUDED AND WILL NOT BE PAID BY DELTA FAUCET COMPANY.

Some states do not allow the exclusion or limitation of incidental or consequential damages, so the above limitation or exclusion may not apply to you.

This warranty is void for any damage to this faucet due to misuse, neglect, accident, improper installation, any use violative of instructions furnished by us, or any use of replacement parts other than genuine Delta parts.



A Division of Masco Corporation of Indiana
Route 46 West PO Box 47
Greensburg, Indiana 47240

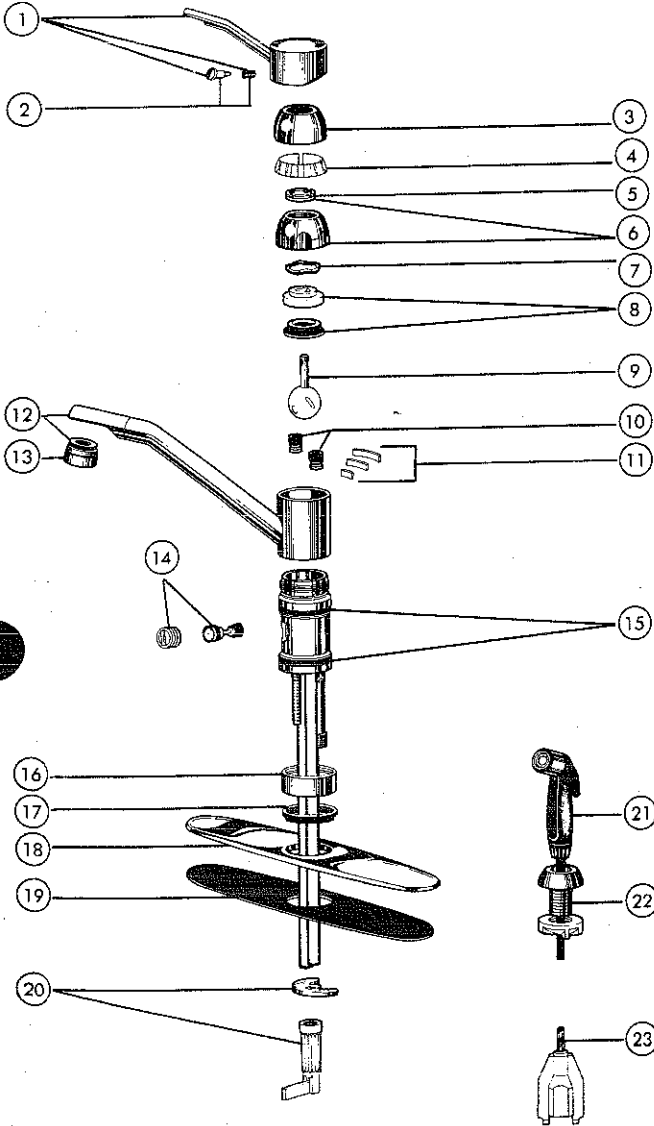


WHEN PERFORMING ROUTINE MAINTENANCE,
USE ONLY GENUINE DELTA REPLACEMENT PARTS.

INSTALLATION GUIDE

SINGLE HANDLE MODULAR KITCHEN FAUCET

NOTE: Refer to chart for correct ORDER NUMBER when ordering replacement parts.



MODULAR COMPONENT MODELS

KEY	PART DESCRIPTION	ORDER NUMBER	MODULAR COMPONENT MODELS												
			Body		Trim				Spray						
			21100	21400	RP100PC	RP100RD	RP100WH	RP100AL	RP100MB	RP100GR	RP400PC	RP400RD	RP400WH	RP400AL	RP400GR
1.	Handle with Button and Set Screw	RP14169													
		RP14169RD													
		RP14169WH													
		RP14169AL													
		RP14169MB													
		RP14169GR													
2.	Button and Set Screw	RP14170													
3.	Cap	RP14171													
		RP14171RD													
		RP14171WH													
		RP14171AL													
		RP14171MB													
		RP14171GR													
4.	Snap Ring	RP14177													
5.	Adjusting Ring	RP250													
6.	Cap Assembly	RP14180													
7.	Spring Washer	RP13932													
8.	Cam Assembly	RP61													
9.	Ball	RP10797													
10.	Seats and Springs	RP4993													
11.	Swivel Stops	RP14178													
12.	Spout Assembly w/Aerator	RP14172													
		RP14172RD													
		RP14172WH													
		RP14172AL													
		RP14172MB													
		RP14172GR													
13.	Aerator	RP330													
		RP330RD													
		RP330WH													
		RP330AL													
		RP330MB													
		RP330GR													
14.	Diverter	RP14173													
15.	Gaskets	RP14179													
16.	Base	RP14174													
		RP14174RD													
		RP14174WH													
		RP14174AL													
		RP14174MB													
		RP14174GR													
17.	Retaining Seal	RP13935													
18.	Escutcheon	RP13936													
		RP13936RD													
		RP13936WH													
		RP13936AL													
		RP13936MB													
		RP13936GR													
19.	Gasket	RP13937													
20.	Mounting Washer & Wrench	RP13940													
21.	Spray and Hose Assembly	RP6011													
		RP6011RD													
		RP6011WH													
		RP6011AL													
		RP6011GR													
22.	Spray Support	RP6015													
		RP6015RD													
		RP6015WH													
		RP6015AL													
		RP6015GR													
23.	Wrench	RP13941													

ORDER NUMBER FINISH SUFFIXES:
RD = Red, WH = White, AL = Almond, MB = Matte Black, GR = Gray, PC = Chrome

DELTA LIMITED WARRANTY

All parts and colored INFRACRYL™ surfaces of the Delta faucet are warranted to the original consumer purchaser to be free from defects in material and workmanship for a period of two (2) years. This warranty is made to the original consumer purchaser and shall be effective from date of purchase as shown on purchaser's receipt.

Delta Faucet Company will replace, FREE OF CHARGE, during the warranty period, any part which proves defective in material and/or workmanship under normal installation, use, and service. Replacement parts can be obtained from your local dealer or distributor listed in the telephone directory or by returning the part to our factory. TRANSPORTATION CHARGES PREPAID, at the address listed. THIS WARRANTY IS THE ONLY EXPRESS WARRANTY MADE BY DELTA FAUCET COMPANY, AND IS LIMITED TO DEFECTIVE PARTS ONLY. ANY OTHER WARRANTIES INCLUDING THE IMPLIED WARRANTIES OF MERCHANTABILITY AND FITNESS FOR A PARTICULAR PURPOSE ARE LIMITED TO THE DURATION OF THIS WARRANTY. LABOR CHARGES AND/OR DAMAGE INCURRED IN INSTALLATION, REPAIR OR REPLACEMENT AS WELL AS INCIDENTAL AND CONSEQUENTIAL DAMAGES CONNECTED THEREWITH ARE EXCLUDED AND WILL NOT BE PAID BY DELTA FAUCET COMPANY.

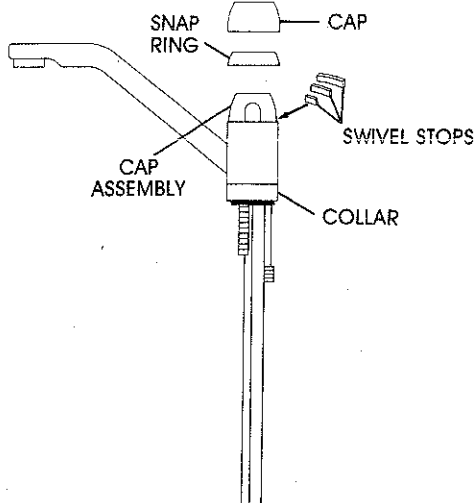
Some states do not allow the exclusion or limitation of incidental or consequential damages, so the above limitation or exclusion may not apply to you.

This warranty is void for any damage to this faucet due to misuse, neglect, accident, improper installation, any use violative of instructions furnished by us, or any use of replacement parts other than genuine Delta parts.

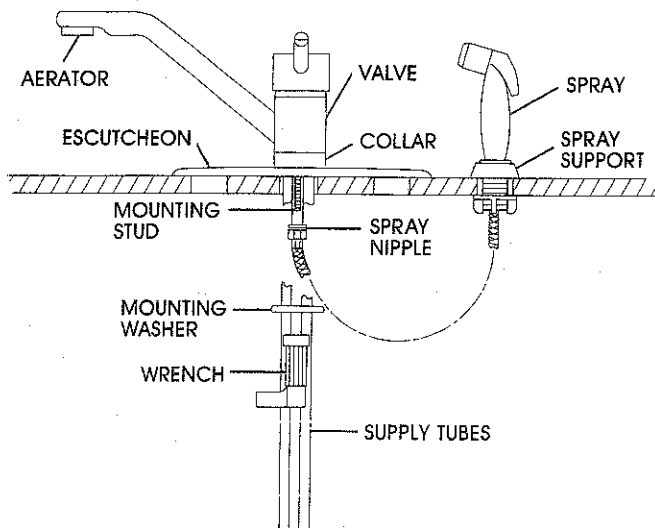
LEAVE THIS INSTRUCTION SHEET WITH INSTALLED FAUCET!

INSTALLATION STEPS

1. Slip spout assembly onto body from bottom. Gently rotate to avoid cutting seals.
2. When spout is in position, slip off snap ring and insert swivel stop of your choice into slot in back of faucet between the spout and body, limiting rotation of spout assembly. Replace snap ring.



3. Slip cap snugly over snap ring, mount and secure handle.
4. Assemble collar and retaining seal on bottom of valve.
NOTE: Position of collar. Install with deeper cut up against body.
5. Place escutcheon and gasket on bottom of valve.
NOTE: For one hole sink installations, gasket and escutcheon are optional.
6. For with spray models: Install spray support assembly in far right hand sink hole. Run hose down through support and up through center hole in sink and connect to spray nipple on valve as shown.
7. Position faucet on sink, and secure with mounting washer and wrench as shown.



8. Carefully bend supply tubes to desired position and connect to supply lines. **WARNING:** KINKED TUBES WILL VOID WARRANTY.
9. After installation is complete, remove aerator, flush both hot and cold lines for one minute each. Check for leaks. Shut off and replace aerator.

DELTA 
DELTA FAUCET COMPANY

A Division of Masco Corporation of Indiana
Route 46 West P.O. Box 47
Greensburg, Indiana 47240

DELTA

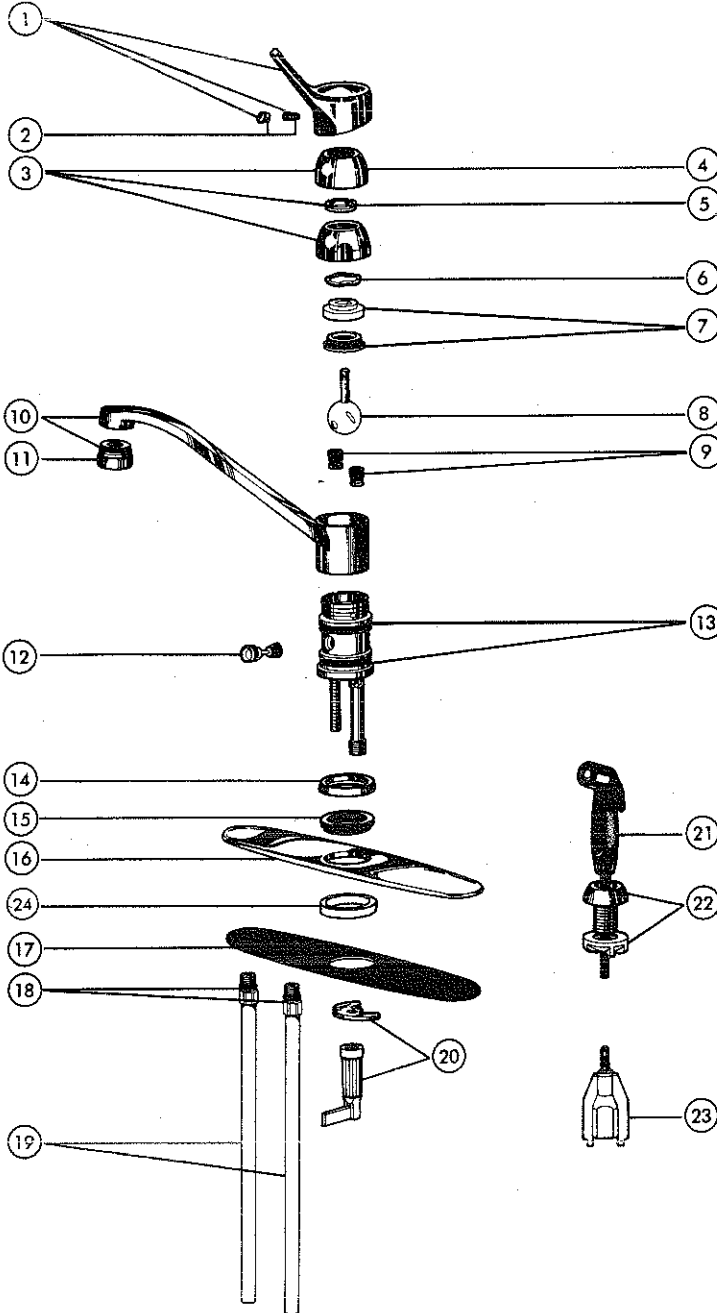
DELTA FAUCET COMPANY

WHEN PERFORMING ROUTINE MAINTENANCE,
USE ONLY GENUINE DELTA REPLACEMENT PARTS.

INSTALLATION GUIDE

SINGLE HANDLE EUROSTYLE KITCHEN DECK

NOTE: Refer to chart for correct ORDER NUMBER when ordering replacement parts.



KEY	PART DESCRIPTION	ORDER NUMBER	MODELS							
			25100 AL	25100 RD	25100 WH	25100 GR	25400 AL	25400 RD	25400 WH	25400 GR
1.	Handle with Button and Set Screw	RP13928 AL	●	●	●	●	●	●	●	●
		RP13928 RD	●	●	●	●	●	●	●	●
		RP13928 WH	●	●	●	●	●	●	●	●
		RP13928 GR	●	●	●	●	●	●	●	●
2.	Button and Set Screw	RP13929	●	●	●	●	●	●	●	
3.	Cap Assembly	RP13930 AL	●	●	●	●	●	●	●	●
		RP13930 RD	●	●	●	●	●	●	●	●
		RP13930 WH	●	●	●	●	●	●	●	●
		RP13930 GR	●	●	●	●	●	●	●	●
4.	Cap	RP13931 AL	●	●	●	●	●	●	●	●
		RP13931 RD	●	●	●	●	●	●	●	●
		RP13931 WH	●	●	●	●	●	●	●	●
		RP13931 GR	●	●	●	●	●	●	●	●
5.	Adjusting Ring	RP250	●	●	●	●	●	●	●	
6.	Spring Washer	RP13932	●	●	●	●	●	●	●	
7.	Carn Assembly	RP61	●	●	●	●	●	●	●	
8.	Ball Assembly	RP10797	●	●	●	●	●	●	●	
9.	Seals and Springs	RP4993	●	●	●	●	●	●	●	
10.	Spout Assembly*	RP13933 AL	●	●	●	●	●	●	●	●
		RP13933 RD	●	●	●	●	●	●	●	●
		RP13933 WH	●	●	●	●	●	●	●	●
		RP13933 GR	●	●	●	●	●	●	●	●
11.	Aerator	RP330 AL	●	●	●	●	●	●	●	●
		RP330 RD	●	●	●	●	●	●	●	●
		RP330 WH	●	●	●	●	●	●	●	●
		RP330 GR	●	●	●	●	●	●	●	●
12.	Diverter	RP320	●	●	●	●	●	●	●	
13.	O-Rings	RP25	●	●	●	●	●	●	●	
14.	Collar	RP13934 AL	●	●	●	●	●	●	●	●
		RP13934 RD	●	●	●	●	●	●	●	●
		RP13934 WH	●	●	●	●	●	●	●	●
		RP13934 GR	●	●	●	●	●	●	●	●
15.	Retaining Seal	RP13935	●	●	●	●	●	●	●	
16.	Escutcheon	RP13936 AL	●	●	●	●	●	●	●	●
		RP13936 RD	●	●	●	●	●	●	●	●
		RP13936 WH	●	●	●	●	●	●	●	●
		RP13936 GR	●	●	●	●	●	●	●	●
17.	Gasket	RP13937	●	●	●	●	●	●	●	
18.	O-Rings	RP13938	●	●	●	●	●	●	●	
19.	Supply Tubes†	RP13939	●	●	●	●	●	●	●	
20.	Mounting Washer & Wrench	RP13940	●	●	●	●	●	●	●	
21.	Spray & Hose Assembly	RP6011 AL	●	●	●	●	●	●	●	●
		RP6011 RD	●	●	●	●	●	●	●	●
		RP6011 WH	●	●	●	●	●	●	●	●
		RP6011 GR	●	●	●	●	●	●	●	●
		RP6015 AL	●	●	●	●	●	●	●	●
22.	Spray Support Assembly	RP6015 RD	●	●	●	●	●	●	●	●
		RP6015 WH	●	●	●	●	●	●	●	●
		RP6015 GR	●	●	●	●	●	●	●	●
		RP13941	●	●	●	●	●	●	●	●
23.	Adjusting Wrench	RP13941	●	●	●	●	●	●	●	
24.	Support Ring	RP16471	●	●	●	●	●	●	●	

MODEL AND ORDER NUMBER FINISH SUFFIXES:
AL = Almond, RD = Red, WH = White, GR = Gray

*Includes Aerator
†Note: Supply tubes are left hand thread.

AFTER INSTALLATION

1. Remove aerator and flush both hot and cold lines for one minute each.
2. Check for leaks under sink.
3. Shut off and replace aerator.

DELTA LIMITED WARRANTY

All parts and colored INFRACRYL™ surfaces of the Delta faucet are warranted to the original consumer purchaser to be free from defects in material and workmanship for a period of two (2) years. This warranty is made to the original consumer purchaser and shall be effective from date of purchase as shown on purchaser's receipt.

Delta Faucet Company will replace, FREE OF CHARGE, during the warranty period, any part which proves defective in material and/or workmanship under normal installation, use, and service. Replacement parts can be obtained from your local dealer or distributor listed in the telephone directory or by returning the part to our factory. TRANSPORTATION CHARGES PREPAID, at the address listed. THIS WARRANTY IS THE ONLY EXPRESS WARRANTY MADE BY DELTA FAUCET COMPANY, AND IS LIMITED TO DEFECTIVE PARTS ONLY. ANY OTHER WARRANTIES INCLUDING THE IMPLIED WARRANTIES OF MERCHANTABILITY AND FITNESS FOR A PARTICULAR PURPOSE ARE LIMITED TO THE DURATION OF THIS WARRANTY. LABOR CHARGES AND/OR DAMAGE INCURRED IN INSTALLATION, REPAIR OR REPLACEMENT AS WELL AS INCIDENTAL AND CONSEQUENTIAL DAMAGES CONNECTED THEREWITH ARE EXCLUDED AND WILL NOT BE PAID BY DELTA FAUCET COMPANY.

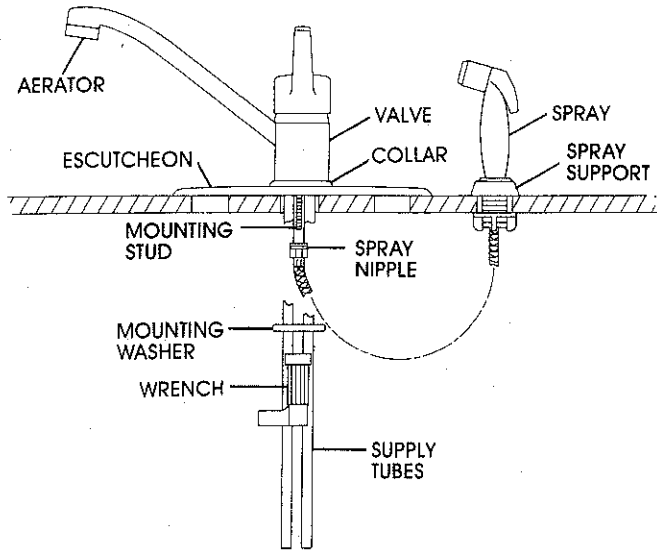
Some states do not allow the exclusion or limitation of incidental or consequential damages, so the above limitation or exclusion may not apply to you.

This warranty is void for any damage to this faucet due to misuse, neglect, accident, improper installation, any use violative of instructions furnished by us, or any use of replacement parts other than genuine Delta parts.

LEAVE THIS INSTRUCTION SHEET WITH INSTALLED FAUCET!

INSTALLATION STEPS

1. Screw in copper inlet tubes.
2. Assemble collar, retaining seal, and escutcheon to bottom of faucet. Position gasket on mounting surface. Position white plastic support ring around center hole of gasket. (For one hole sink installations install only collar. Retaining seal, escutcheon and gasket are optional.)
NOTE: If retaining seal, escutcheon, and gasket are not to be installed, plumbers putty should be used to seal between the collar and sink.)
3. For with spray models. Install spray support into hole of sink. Insert spray hose down thru support and up through center hole of sink. Connect hose to nipple on faucet as shown.
4. Insert entire valve assembly in hole of sink. Position faucet on sink, secure with mounting washer and wrench as shown.

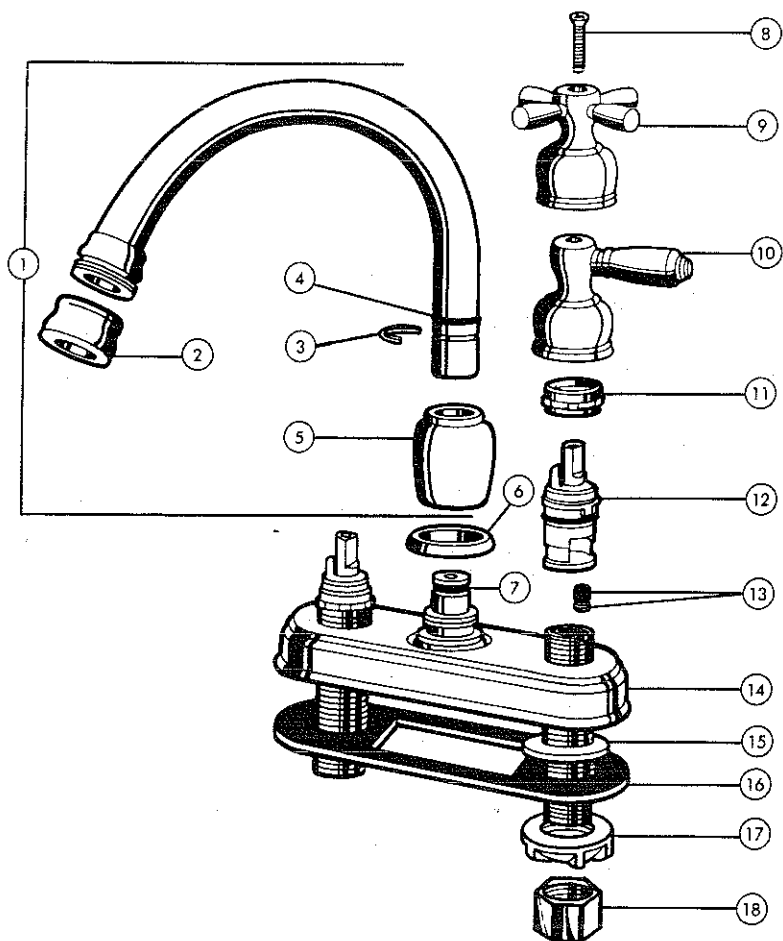


5. Carefully bend supply tubes of valve assembly to desired position and attach to water supply lines.
WARNING: KINKED TUBES WILL VOID WARRANTY.
6. After installation is complete, remove aerator and flush both hot and cold lines for one minute each. Check for leaks under sink. Shut off and replace aerator.

DELTA 
DELTA FAUCET COMPANY

A Division of Masco Corporation of Indiana
Route 46 West P.O. Box 47
Greensburg, Indiana 47240

WRITE PURCHASED MODEL NUMBER HERE
FOR FUTURE REFERENCE.



MODELS

KEY	PART DESCRIPTION	ORDER NUMBER	MODELS	
			2567	2567 BC
1.	Spout Assembly	RP15538	●	●
		RP15538 BC	●	●
2.	Aerator	RP15533	●	●
		RP15533 BC	●	●
3.	Retaining Ring	RP6227	●	●
4.	O-Ring	RP5863	●	●
5.	Bonnet	RP15539	●	●
		RP15539 BC	●	●
6.	Ring	RP15540	●	●
		RP15540 BC	●	●
7.	O-Ring	RP6048	●	●
8.	Screws	RP7527	●	●
		RP7527 BC	●	●
9.	Handles-Cross	RP14790	*	
		RP14790 BC	*	
10.	Handles-Lever	RP14788	*	
		RP14788 OAK	*	
		RP14788 WC	*	
		RP14788 BC	*	
		RP14788 BC OAK	*	
		RP14788 WB	*	
11.	Bonnets	RP6060	●	●
		RP6060 CG	●	●
12.	Stem Unit Assembly	RP1740	●	●
13.	Seats and Springs	RP4993	●	●
14.	Escutcheon	RP15541	●	●
		RP15641 BC	●	●
15.	Washer	RP15542	●	●
16.	Gasket	RP15543	●	●
17.	Locknuts	RP4183	●	●
18.	Nuts	RP5861	●	●
		RP15544	●	●
19.	Pop-Up Assembly	RP15544	●	●
		RP15544 BC	●	●

*Available Handle Options

INSTALLATION INSTRUCTIONS

SHUT OFF WATER SUPPLIES

- Place washers (15) and gasket (16) on faucet. Set faucet in place on lavatory. Screw locknuts (17) onto faucet shanks. **HAND TIGHTEN ONLY.**
- Refer to back page for pop-up installation.
- Make connections to water lines. **IMPORTANT**—After connections have been made, remove aerator (2), turn handles to full on position. Turn on water supplies, check for leaks and let lines flush for one minute without moving faucet handles. This will remove debris from lines which can damage internal parts of faucet and create leaks. After flushing shut off water at faucet and replace aerator.

HELPFUL HINTS:

If sink is uneven or gasket does not properly seal, use of plumber's putty in place of gasket may be required.

MAINTENANCE

WHEN PERFORMING ROUTINE MAINTENANCE, DO NOT VOID YOUR WARRANTY BY INSTALLING NON-GENUINE PARTS. USE ONLY AUTHORIZED PARTS THAT CARRY THE DELTA® GENUINE PARTS LOGO. YOU WILL FIND DETAILED MAINTENANCE INSTALLATION INSTRUCTIONS ON THE BACK OF ALL OUR CARDED REPAIR KITS.

IMPORTANT—AFTER ANY MAINTENANCE, THOROUGHLY FLUSH THE FAUCET AS PREVIOUSLY STATED IN STEP #3 OF THE INSTALLATION INSTRUCTIONS.

- IF FAUCET LEAKS FROM SPOUT—SHUT OFF WATER SUPPLIES, replace seats and springs (13). REPAIR KIT RP4993
- IF LEAK PERSISTS—SHUT OFF WATER SUPPLIES, replace stem unit assembly (12). REPAIR KIT RP1740

IMPORTANT—STEM UNITS MUST BE REPLACED CORRECTLY FOR PROPER HANDLE ROTATION. For cross handles (9), stem units must be installed so stops on stems point to center of faucet. For lever handles (10), stem units must be installed so stops on stems both point to the right.

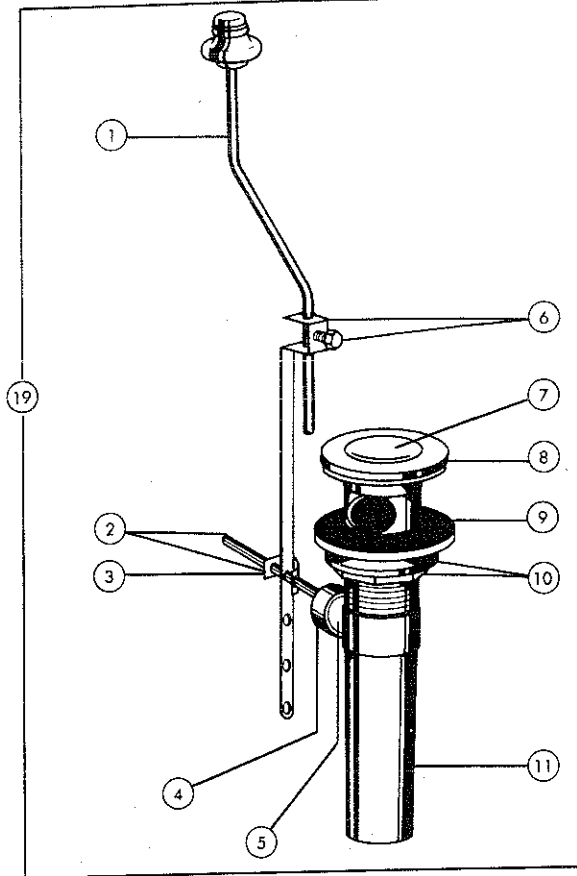
- IF FAUCET LEAKS FROM AROUND SPOUT BONNET/RING—replace O-RING (7). REPAIR KIT RP6048

LEAVE THIS INSTRUCTION SHEET WITH INSTALLED FAUCET!



MODELS

KEY	PART DESCRIPTION	ORDER NUMBER	RP15544	RP15544 BC
1.	Lift Rod	RP15545	●	●
		RP15545 BC	●	●
2.	Horizontal Rod w/Clip	RP12517	●	●
3.	Spring Clip	RP12518	●	●
4.	Nut	RP6132	●	●
5.	Pivot Seat and Gasket	RP6130	●	●
6.	Strap and Screw	RP12516	●	●
7.	Stopper	RP5648	●	●
		RP5648 BC	●	●
8.	Flange	RP6126	●	●
		RP6126 BC	●	●
9.	Gasket	RP6142	●	●
10.	Nut and Washer	RP6140	●	●
11.	Tailpiece	RP6128	●	●



POP-UP INSTALLATION—METAL

1. Remove flange (8). Screw nut and washer (10) down toward pivot as far as possible. Push gasket (9) down to nut and washer.
2. Apply putty liberally to underside of flange (8). Insert pop-up assembly up through bottom of sink. Screw flange back on and secure.
3. With pivot facing toward faucet, pull pop-up straight down into drain hole and secure gasket (9) nut and washer (10). DO NOT TURN POP-UP WHILE TIGHTENING NUT OR PUTTY MAY NOT SEAL DRAIN.
4. Slip nut (4) over horizontal rod (2) and tighten into pop-up body. NOTE: Pop-up stopper may be installed as removable or non-removable. Position stopper (7) in body accordingly.

5. Position spring clip (3) over selected hole in strap (6). Insert horizontal rod (2) through spring clip and strap.
6. Insert lift rod (1) down through faucet and top of strap (6). Adjust to proper height and tighten screw.

CARE INSTRUCTIONS

Your Delta® Faucet is designed and engineered in accordance with the highest quality and performance standards. With proper care, it will give you years of trouble free service. Care should be given to the cleaning of this product. Although its finish is extremely durable, it can be damaged by harsh abrasives or polish. To clean, wipe gently with a damp cloth and blot dry with a soft towel.

INSTACLEAN® Aerator cleaning instructions. To clean aerator, simply press stem on the face of the aerator upward and slowly turn on the cold water. Adjust the flow so that the aerator makes a buzzing sound; let water flow for 10 seconds.

DELTA LIMITED WARRANTY

All parts of the Delta faucet are warranted to the original consumer purchaser to be free from defects in material and workmanship for a period of two (2) years. This warranty is made to the original consumer purchaser and shall be effective from date of purchase as shown of purchaser's receipt.

Delta Faucet Company will replace, FREE OF CHARGE, during the warranty period, any part which proves defective in material and/or workmanship under normal installation, use and service. Replacement parts can be obtained from your local dealer or distributor listed in the telephone directory or by returning the part to our factory. TRANSPORTATION CHARGES PREPAID, at the address listed. THIS WARRANTY IS THE ONLY EXPRESS WARRANTY MADE BY DELTA FAUCET COMPANY AND IS LIMITED TO DEFECTIVE PARTS REPLACEMENT ONLY. ANY OTHER WARRANTIES INCLUDING THE IMPLIED WARRANTIES OF MERCHANTABILITY AND FITNESS FOR A PARTICULAR PURPOSE ARE LIMITED TO THE DURATION OF THIS WARRANTY. LABOR CHARGES AND/OR DAMAGE INCURRED IN INSTALLATION, REPAIR OR REPLACEMENT AS WELL AS INCIDENTAL AND CONSEQUENTIAL DAMAGES CONNECTED THEREWITH ARE EXCLUDED AND WILL NOT BE PAID BY DELTA FAUCET COMPANY.

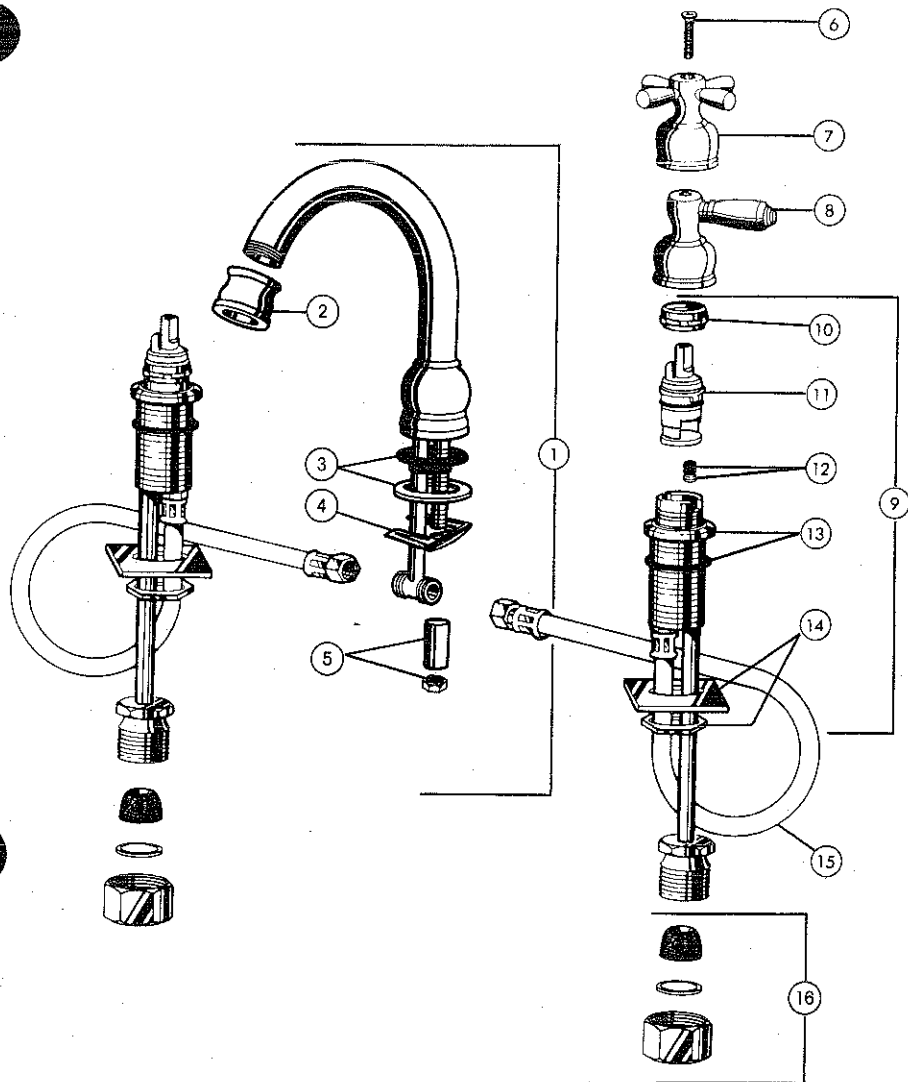
Some states do not allow the exclusion or limitation of incidental or consequential damages, so the above limitation or exclusion may not apply to you.

This warranty is void for any damage to this faucet due to misuse, neglect, accident, improper installation, any use violative of instructions furnished by us, or any use of replacement parts other than genuine Delta parts.



A Division of Masco Corporation of Indiana
Route 46 West P.O. Box 47
Greensburg, Indiana 47240

WRITE PURCHASED MODEL NUMBER HERE FOR FUTURE REFERENCE.



KEY	PART DESCRIPTION	ORDER NUMBER	MODELS	
			3567	3567 BC
1.	Spout Assembly	RP15546	●	●
		RP15546 BC	●	●
2.	Aerator	RP15533	●	●
		RP15533 BC	●	●
3.	Base Plates & Tape	RP16317	●	●
4.	Bracket	RP16319	●	●
5.	Nut & Spacer	RP16318	●	●
6.	Screws	RP7527	●	●
7.	Handles-Cross	RP7527 BC	●	●
		RP14790	*	*
		RP14790 BC	*	*
8.	Handles-Lever	RP14788	*	*
		RP14788 OAK	*	*
		RP14788 WC	*	*
		RP14788 BC	*	*
		RP14788 BC OAK	*	*
		RP14788 WB	*	*
9.	End Valve Assembly	RP15549	●	●
		RP15549 BC	●	●
10.	Bonnets	RP6060	●	●
		RP6060 CG	●	●
11.	Stem Unit Assembly	RP1740	●	●
12.	Seats & Springs	RP4993	●	●
13.	Base with Gasket	RP10965	●	●
		RP10965 BC	●	●
14.	Nuts & Washers	RP9519	●	●
15.	Hose	RP6050	●	●
16.	Hook-Up Kit	RP12303	●	●
17.	Pop-Up Assembly	RP15550	●	●
		RP15550 BC	●	●

*Available Handle Options

INSTALLATION INSTRUCTIONS

SHUT OFF WATER SUPPLIES

- Determine which base plate (3) that will be used for your lavatory installation. Place the base plate on the spout assembly making sure it is properly aligned in cavity of spout base. Apply two-sided sealing tape to bottom of base plate. Position spout assembly (1) in center hole of lavatory, slip mounting bracket (4) up over tee and mounting stud, secure with nut (5). NOTE: Some applications may require the use of spacer.
- Remove nut and washer (14) from end valve assembly (9). Insert end valve assembly into side hole in lavatory with inlet tube facing out, slip washer then nut (14) up over fitting of inlet tube.
- Insert hose (15) up through nut, washer and lavatory hole. While holding end valve assembly (9) above sink, thread the hose adapter

into end valve body and tighten. USE TEFLON TAPE TO SEAL THREADS.

- Drop end valve assembly (9) back into lavatory, secure with washer and nut (14) making sure gasket is properly aligned with cavity of base (13). Follow steps 2, 3 and 4 for installation of second end valve assembly.
- Loop both hot and cold hoses toward tee. Screw hose coupling nuts onto tee nipples. Use two wrenches to tighten nuts to tee, one on left nut, one on right nut to avoid damaging tee.
- Refer to back page for pop-up installation.
- Make connections to water lines, using hook-up kit (16). IMPORTANT—After connections have been made, remove aerator (2), turn handles to full on position. Turn on water supplies, check for leaks and let lines flush for one minute without moving faucet handles. This will remove debris from lines which can damage internal parts of faucet and create leaks. After flushing shut off water at faucet and replace aerator.

MAINTENANCE

WHEN PERFORMING ROUTINE MAINTENANCE, DO NOT VOID YOUR WARRANTY BY INSTALLING NON-GENUINE PARTS. USE ONLY AUTHORIZED PARTS THAT CARRY THE DELTA® GENUINE PARTS LOGO. YOU WILL FIND DETAILED MAINTENANCE INSTALLATION INSTRUCTIONS ON THE BACK OF ALL OUR CARDED REPAIR KITS.

IMPORTANT—AFTER ANY MAINTENANCE THOROUGHLY FLUSH THE FAUCET AS PREVIOUSLY STATED IN STEP 7 OF THE INSTALLATION INSTRUCTIONS.

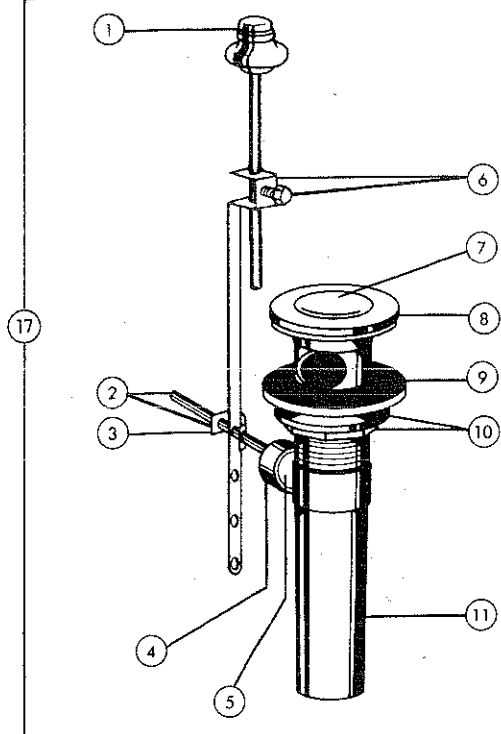
- IF FAUCET LEAKS FROM SPOUT—SHUT OFF WATER SUPPLIES, Replace seats and springs (12). * REPAIR KIT RP4993
- IF LEAK PERSISTS—SHUT OFF WATER SUPPLIES, replace stem unit assembly (11). * REPAIR KIT RP1740.

***IMPORTANT**—STEM UNITS MUST BE REPLACED CORRECTLY FOR PROPER HANDLE ROTATION. For cross handles (7), stem units must be installed so stops on stems point to center of faucet. For lever handles (8), stem units must be installed so stops on both stems point to the right.

LEAVE THIS INSTRUCTION SHEET WITH INSTALLED FAUCET!



KEY	PART DESCRIPTION	ORDER NUMBER	MODELS	
			RP15550	RP15550BC
1.	Lift Rod	RP15551	●	●
		RP15551 BC	●	●
2.	Horizontal Rod w/Clip	RP12517	●	●
3.	Spring Clip	RP12518	●	●
4.	Nut	RP6132	●	●
5.	Pivot Seat and Gasket	RP6130	●	●
6.	Strap and Screw	RP12516	●	●
7.	Stopper	RP5648	●	●
		RP5648 BC	●	●
8.	Flange	RP6126	●	●
		RP6126 BC	●	●
9.	Gasket	RP6142	●	●
10.	Nut and Washer	RP6140	●	●
11.	Tailpiece	RP6128	●	●



POP-UP INSTALLATION—METAL

1. Remove flange (8). Screw nut and washer (10) down toward pivot as far as possible. Push gasket (9) down to nut and washer.
2. Apply putty liberally to underside of flange (8). Insert pop-up assembly up through bottom of sink. Screw flange back on and secure.
3. With pivot facing toward faucet, pull pop-up straight down into drain hole and secure gasket (9) nut and washer (10). DO NOT TURN POP-UP WHILE TIGHTENING NUT OR PUTTY MAY NOT SEAL DRAIN.
4. Slip nut (4) over horizontal rod (2) and tighten into pop-up body. NOTE: Pop-up stopper may be installed as removable or non-removable. Position stopper (7) in body accordingly.

5. Position spring clip (3) over selected hole in strap (6). Insert horizontal rod (2) through spring clip and strap.

6. Insert lift rod (1) down through spout and top of strap (6). Adjust to proper height and tighten screw.

CARE INSTRUCTIONS

Your Delta® Faucet is designed and engineered in accordance with the highest quality and performance standards. With proper care, it will give you years of trouble free service. Care should be given to the cleaning of this product. Although its finish is extremely durable, it can be damaged by harsh abrasives or polish. To clean, wipe gently with a damp cloth and blot dry with a soft towel.

INSTACLEAN® Aerator cleaning instructions. To clean aerator, simply press stem on the face of the aerator upward and slowly turn on the cold water. Adjust the flow so that the aerator makes a buzzing sound; let water flow for 10 seconds.

DELTA LIMITED WARRANTY

All parts of the Delta faucet are warranted to the original consumer purchaser to be free from defects in material and workmanship for a period of two (2) years. This warranty is made to the original consumer purchaser and shall be effective from date of purchase as shown of purchaser's receipt.

Delta Faucet Company will replace, FREE OF CHARGE, during the warranty period, any part which proves defective in material and/or workmanship under normal installation, use, and service. Replacement parts can be obtained from your local dealer or distributor listed in the telephone directory or by returning the part to our factory. TRANSPORTATION CHARGES PREPAID, at the address listed. THIS WARRANTY IS THE ONLY EXPRESS WARRANTY MADE BY DELTA FAUCET COMPANY AND IS LIMITED TO DEFECTIVE PARTS REPLACEMENT ONLY. ANY OTHER WARRANTIES INCLUDING THE IMPLIED WARRANTIES OF MERCHANTABILITY AND FITNESS FOR A PARTICULAR PURPOSE ARE LIMITED TO THE DURATION OF THIS WARRANTY. LABOR CHARGES AND/OR DAMAGE INCURRED IN INSTALLATION, REPAIR OR REPLACEMENT AS WELL AS INCIDENTAL AND CONSEQUENTIAL DAMAGES CONNECTED THEREWITH ARE EXCLUDED AND WILL NOT BE PAID BY DELTA FAUCET COMPANY.

Some states do not allow the exclusion or limitation of incidental or consequential damages, so the above limitation or exclusion may not apply to you.

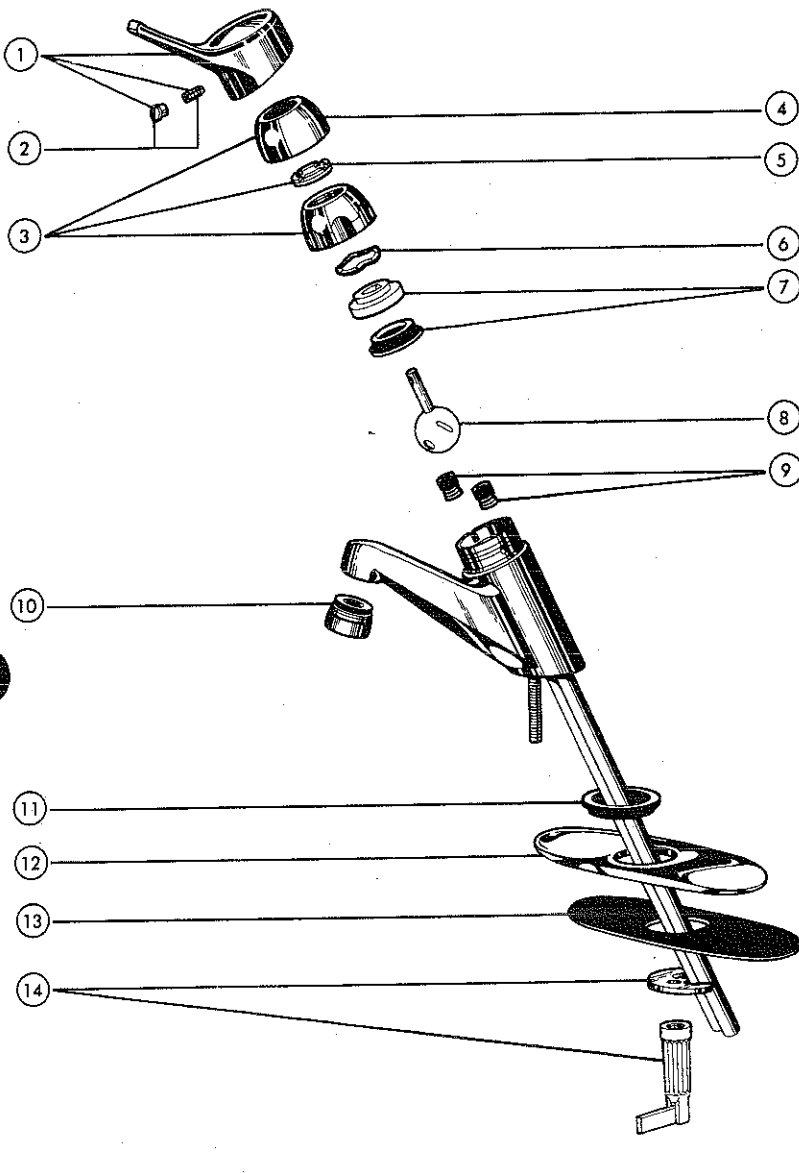
This warranty is void for any damage to this faucet due to misuse, neglect, accident, improper installation, any use violative of instructions furnished by us, or any use of replacement parts other than genuine Delta parts.



A Division of Masco Corporation of Indiana
Route 46 West P.O. Box 47
Greensburg, Indiana 47240

SINGLE HANDLE EUROSTYLE LAVATORY VALVE

NOTE: Refer to chart for correct ORDER NUMBER when ordering replacement parts.



KEY	PART DESCRIPTION	ORDER NUMBER	MODELS				
			25520AL	25520RD	25520WH	25520GR	
1.	Handle with Button and Set Screw	RP13928AL	●				
		RP13928RD		●			
		RP13928WH			●		
		RP13928GR				●	
2.	Button and Set Screw	RP13929	●	●	●	●	
		3. Cap Assembly	RP13930AL	●			
			RP13930RD		●		
			RP13930WH			●	
4.	Cap	RP13930GR				●	
		RP13931AL	●				
		RP13931RD		●			
		RP13931WH			●		
5.	Adjusting Ring	RP13931GR				●	
		RP250	●	●	●	●	
		6.	RP13932	●	●	●	●
			7.	RP61	●	●	●
8.	RP10797	●		●	●	●	
	9.	RP4993	●	●	●	●	
10.		Aerator	RP330AL	●			
	RP330RD			●			
	RP330WH				●		
	RP330GR					●	
11.	Retaining Seal	RP13942	●	●	●	●	
		12.	RP13943AL	●			
			RP13943RD		●		
			RP13943WH			●	
13.	Escutcheon	RP13943GR				●	
		RP13944	●	●	●	●	
		14.	RP13940	●	●	●	●
			RP13941	●	●	●	●
▲	Complete Pop-Up Assembly	RP13945AL	●				
		RP13945RD		●			
		RP13945WH			●		
		RP13945GR				●	

MODEL AND ORDER NUMBER FINISH SUFFIXES:
AL = Almond, RD = Red, WH = White, GR = Gray

▲ Refer to back page for pop-up assembly installation and replacement parts.

AFTER INSTALLATION

1. Remove aerator and flush both hot and cold lines for one minute each.
2. Check for leaks under sink.
3. Shut off and replace aerator.

DELTA LIMITED WARRANTY

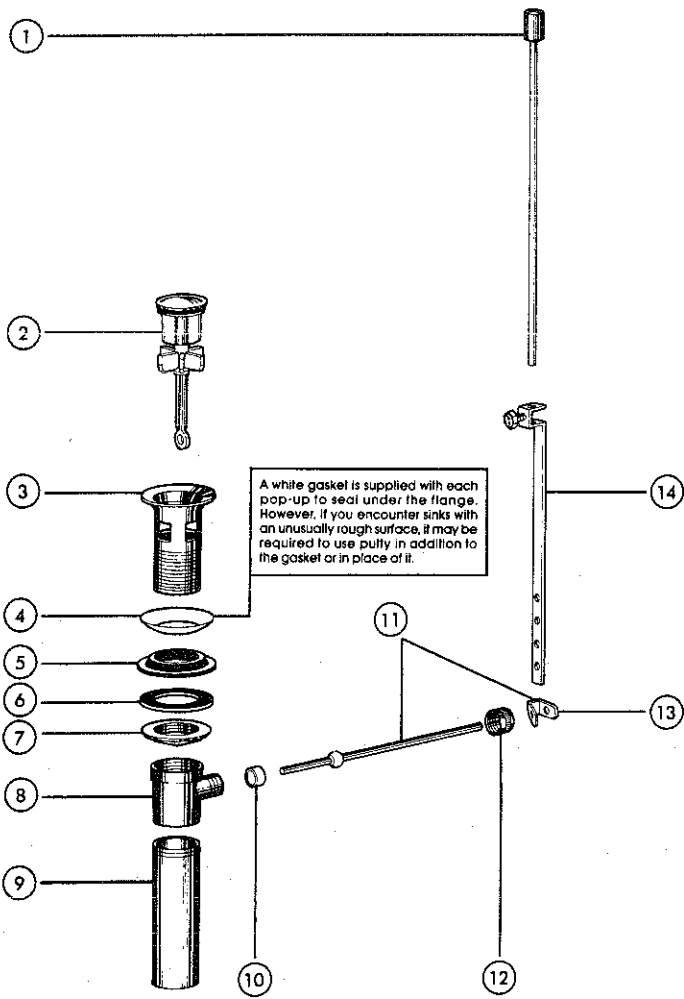
All parts and colored INFRACRYL™ surfaces of the Delta faucet are warranted to the original consumer purchaser to be free from defects in material and workmanship for a period of two (2) years. This warranty is made to the original consumer purchaser and shall be effective from date of purchase as shown on purchaser's receipt.

Delta Faucet Company will replace, FREE OF CHARGE, during the warranty period, any part which proves defective in material and/or workmanship under normal installation, use, and service. Replacement parts can be obtained from your local dealer or distributor listed in the telephone directory or by returning the part to our factory. TRANSPORTATION CHARGES PREPAID, at the address listed. THIS WARRANTY IS THE ONLY EXPRESS WARRANTY MADE BY DELTA FAUCET COMPANY, AND IS LIMITED TO DEFECTIVE PARTS ONLY. ANY OTHER WARRANTIES INCLUDING THE IMPLIED WARRANTIES OF MERCHANTABILITY AND FITNESS FOR A PARTICULAR PURPOSE ARE LIMITED TO THE DURATION OF THIS WARRANTY. LABOR CHARGES AND/OR DAMAGE INCURRED IN INSTALLATION, REPAIR OR REPLACEMENT AS WELL AS INCIDENTAL AND CONSEQUENTIAL DAMAGES CONNECTED THEREWITH ARE EXCLUDED AND WILL NOT BE PAID BY DELTA FAUCET COMPANY.

Some states do not allow the exclusion or limitation of incidental or consequential damages, so the above limitation or exclusion may not apply to you.

This warranty is void for any damage to this faucet due to misuse, neglect, accident, improper installation, any use violative of instructions furnished by us, or any use of replacement parts other than genuine Delta parts.

LEAVE THIS INSTRUCTION SHEET WITH INSTALLED FAUCET!

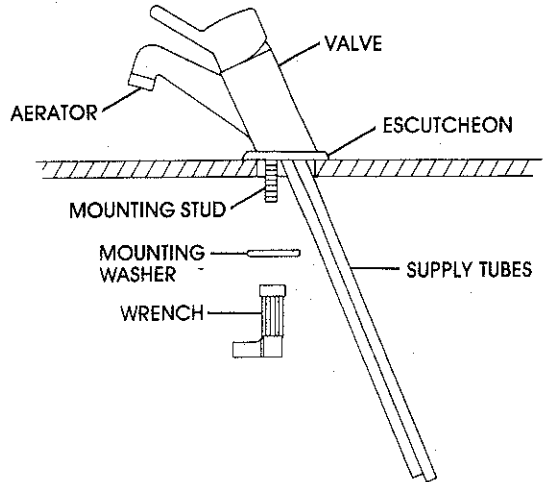


KEY	PART DESCRIPTION	ORDER NUMBER	RP13945AL	RP13945RD	RP13945WH	RP13945GR
1.	Lift Rod	RP13956AL	●			
		RP13956RD		●		
		RP13956WH			●	
		RP13956GR				●
2.	Stopper	RP13957AL	●			
		RP13957RD		●		
		RP13957WH			●	
		RP13957GR				●
3.	Flange	RP13958AL	●			
		RP13958RD		●		
		RP13958WH			●	
		RP13958GR				●
4.	Gasket (White)	RP13959	●	●	●	●
5.	Gasket (Black)	RP13960	●	●	●	●
6.	Washer	RP13961	●	●	●	●
7.	Nut	RP13962	●	●	●	●
8.	Body	RP13963	●	●	●	●
9.	Tailpiece	RP13964	●	●	●	●
10.	Pivot Seat	RP13965	●	●	●	●
11.	Pivot Rod w/Spring Clip	RP13966	●	●	●	●
12.	Nut	RP13967	●	●	●	●
13.	Spring Clip	RP12518	●	●	●	●
14.	Strap w/Screw	RP12516	●	●	●	●

MODEL AND ORDER NUMBER FINISH SUFFIXES:
AL = Almond, RD = Red, WH = White, GR = Gray

INSTALLATION STEPS

1. Assemble retaining seal and escutcheon to bottom of faucet. Slip on gasket. (For one hole sink installations retaining seal, escutcheon and gasket are optional. NOTE: If retaining seal, escutcheon, and gasket are not to be installed, plumbers putty should be used to seal between valve body and sink.)
2. Insert entire valve assembly in hole of sink. Position faucet on sink, secure with mounting washer and wrench as shown.

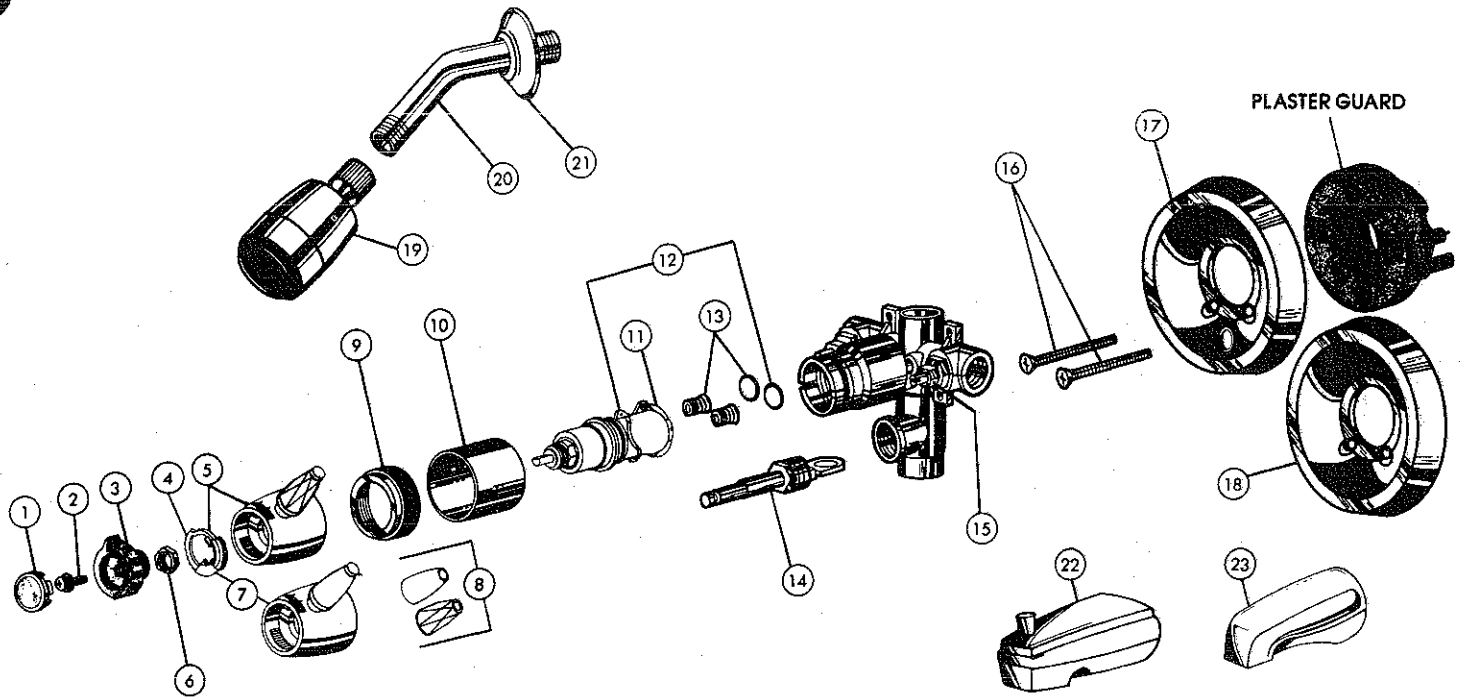


3. Carefully bend supply tubes of valve assembly to desired position and attach to water supply lines. WARNING: KINKED TUBES WILL VOID WARRANTY.
4. After installation is complete, remove aerator and flush both hot and cold lines for one minute each. Check for leaks under sink. Shut off and replace aerator.



A Division of Masco Corporation of Indiana
Route 46 West P.O. Box 47
Greensburg, Indiana 47240

WRITE PURCHASED MODEL NUMBER HERE FOR FUTURE REFERENCE.



The Delta® products shown here are protected by one or more of the following US Patents: 4,043,359, 3,786,995, 4,562,960, 4,593,430, 4,089,347, 4,218,785, 4,696,322.

BEFORE YOU START... be sure to determine the type of installation you will be performing. Whether or not you will install your valve in a plaster wall, plaster wall with thick tile, or fiberglass, plastic, or metal showerstall.

IMPORTANT—If you are installing in a plaster wall or plaster wall with thick tile: BE SURE THAT THE SURFACE OF THE PLASTER GUARD COVERING THE VALVE IS FLUSH WITH YOUR FINISHED WALL. If you are installing this valve on a fiberglass, plastic or metal showerstall with thin walls, the plaster guard can be used as a mounting bracket by removing from valve. Cut a 5 inch diameter opening in showerstall. Turn the plaster guard upside down, place valve body inlets in saddle and mount from backside of showerstall. Place escutcheon (17) or (18) over valve and secure with screws (16). The tub spout outlet and shower riser must be anchored using an RP11077 mounting ell or other anchoring device.

INSTALLATION INSTRUCTIONS

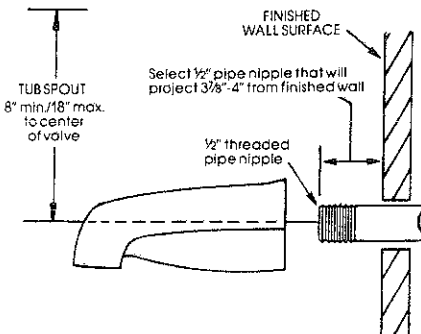
SHUT OFF WATER SUPPLIES

1. install valve so that arrows on bracket point upward. If you are making shower installation only, plug bottom outlet of valve with pipe plug.
2. Connect hot and cold supply lines to left and right inlets of valve body. Left is hot and right is cold. Threaded inlets are 1/2" iron pipe size. Sweat inlet option—1/2" copper water tubing.

3. FOR SHOWERHEAD INSTALLATION connect top outlet to shower arm (20) with proper fittings. To prevent damage to finish on shower arm, insert wall end of shower arm into flange (21) before screwing arm into riser connection.

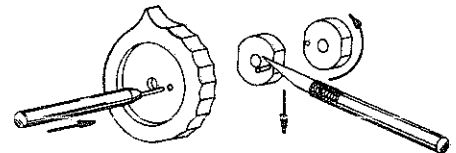
4. FOR TUB SPOUT INSTALLATION If it will be necessary to identify the spout you are installing to determine which instructions to follow. IF YOU ARE INSTALLING TUB SPOUT (22) RP5834, you will find printed installation instructions on the plastic bag your tub spout is packaged in.

IF YOU ARE INSTALLING TUB SPOUT (23) RP5833. This tub spout is designed for 1/2" pipe installations. All other connections will require appropriate reducers. Use teflon tape for threaded connection.

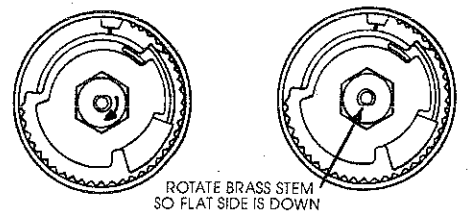


HELPFUL HINTS:
 *IMPORTANT—Connection of deck mount spouts to in wall valves can not be done. The use of hand showers connected to tub outlet in a tub/shower push button diverter combination can not be done.

5. install volume control handle (5) and secure with hex nut (6). IMPORTANT—DO NOT OVER TORQUE. install temperature control handle (3) and button (1) using screw (2). **FOR BACK TO BACK OR REVERSE INSTALLATION** (HOT ON RIGHT AND COLD ON LEFT) Push insert out of temperature control handle (3) with a punch or small screw driver. Cut locating pin off the insert and push back into handle rotated one half turn from original position. (SEE ILLUSTRATION BELOW)



Rotate brass stem on valve assembly (12) so that the flat on the stem faces down. Install handle and button.



6. Turn volume control handle to full on position and temperature control handle (3) to vertical or mix position. Turn on water supplies.

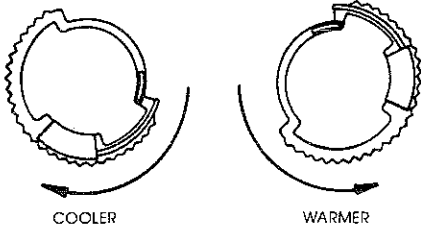
LEAVE THIS INSTRUCTION SHEET WITH INSTALLED FAUCET!



check for leaks and let lines flush for one minute without moving faucet handles. This will remove any debris from lines which can damage internal parts of the faucet and create leaks. Check operation to see if cold only flows with valve full on and pointer on temperature control handle (3) pointing to extreme right.

7. IMPORTANT—SET TEMPERATURE CONTROL. After water has run a sufficient length of time so that cold water is as cold as it will get, and hot water is as hot as it will get, remove button (1). Rotate temperature control handle (3) counter clockwise to hottest position. The high temperature limit stop has been preset at the factory but will not be acceptable for all conditions.

8. Place a thermometer in a plastic tumbler, and hold the tumbler in the water stream. Record the temperature reading and remove the temperature control handle (3). If the water temperature is above 112°F, the high temperature limit stop (4) must be rotated clockwise. Note or mark the position of the stop. (SEE ILLUSTRATION)



Remove the stop and replace it one tooth clockwise for every 3°F (approximately) reduction in temperature that must be made. If water temperature is below 112°F rotate the stop counter clockwise. Replace handle (3) and button (1), turn faucet off and then back on and recheck water temperature. If necessary, make further adjustment. The 112°F setting will become the maximum temperature you can ever get from this faucet as long as the inlet temperatures remain the same.

MAINTENANCE

WHEN PERFORMING ROUTINE MAINTENANCE, DO NOT VOID YOUR WARRANTY BY INSTALLING NON-GENUINE PARTS. USE ONLY AUTHORIZED PARTS THAT CARRY THE DELTA® GENUINE PARTS LOGO. YOU WILL FIND DETAILED MAINTENANCE INSTALLATION INSTRUCTIONS ON THE BACK OF ALL OUR CARDED REPAIR KITS.

IMPORTANT—AFTER ANY MAINTENANCE THOROUGHLY FLUSH THE FAUCET AS PREVIOUSLY STATED IN STEP 6 OF THE INSTALLATION INSTRUCTIONS.

1. IF FAUCET LEAKS FROM TUB SPOUT/SHOWER-HEAD—SHUT OFF WATER SUPPLIES, replace seats, springs & quad rings (13) REPAIR KIT RP16208.
2. IF LEAK PERSISTS—SHUT OFF WATER SUPPLIES, replace volume plate & O-rings (11) REPAIR KIT RP16211.

3. IF UNABLE TO MAINTAIN CONSTANT WATER TEMPERATURE—SHUT OFF WATER SUPPLIES, remove cartridge assembly (12), shake cartridge side to side. Spool should rattle in sleeve. If no rattle can be heard, spool may be stuck. Spool may be freed up by rapping briskly sideways into the palm of your hand. If spool can not be freed replace cartridge assembly (12) REPAIR KIT RP16207.

CARE INSTRUCTIONS

Your Delta® Faucet is designed and engineered in accordance with the highest quality and performance standards. With proper care, it will give you years of trouble free service. Care should be given to the cleaning of this product. Although its finish is extremely durable, it can be damaged by harsh abrasives or polish. To clean, wipe gently with a damp cloth and blot dry with a soft towel.

KEY	PART DESCRIPTION	ORDER NUMBER	MODELS							
			1504	1504 BRS	1508	1508 BRS	1524	1524 BRS	1538	1538 BRS
1.	Button	RP16201	●	●	●	●	●	●	●	●
2.	Screw	RP6369	●	●	●	●	●	●	●	●
3.	Handle	RP16202	●	●	●	●	●	●	●	●
4.	Stop	RP16203	●	●	●	●	●	●	●	●
5.	Handle Assembly	RP16204	●	●	●	●	●	●	●	●
6.	Nut	RP16212	●	●	●	●	●	●	●	●
7.	Handle Assembly	RP16204 BRS	●	●	●	●	●	●	●	●
8.	Lever Handle	RP16125	●	●	●	●	●	●	●	●
		RP16125 OAK	*	*	*	*	*	*	*	*
		RP16125 BRS	*	*	*	*	*	*	*	*
		RP16125 POR	*	*	*	*	*	*	*	*
		RP16125 ROS	*	*	*	*	*	*	*	
9.	Bonnet	RP16205	●	●	●	●	●	●	●	
10.	Sleeve	RP16206	●	●	●	●	●	●	●	
11.	Plate and O-Rings	RP16211	●	●	●	●	●	●	●	
12.	Cartridge Assembly	RP16207	●	●	●	●	●	●	●	
13.	Seats, Springs and Quad Rings	RP16208	●	●	●	●	●	●	●	
14.	Push Button Diverter	RP5649	●	●	●	●	●	●	●	
15.	Stop Assembly-WS	RP16213								
16.	Screws	RP196	●	●	●	●	●	●	●	
17.	Escutcheon-Diverter	RP16210	●	●	●	●	●	●	●	
18.	Escutcheon	RP16209	●	●	●	●	●	●	●	
19.	Showerhead	RP6122			●	●	●	●	●	
20.	Shower Arm	RP6023			●	●	●	●	●	
21.	Shower Flange	RP6025			●	●	●	●	●	
22.	Tub Spout-Diverter	RP5834					●	●	●	
23.	Tub Spout-Non Diverter	RP5833						●	●	

*Lever Handle Options

DELTA LIMITED WARRANTY

All parts of the Delta faucet are warranted to the original consumer purchaser to be free from defects in material and workmanship for a period of two (2) years. This warranty is made to the original consumer purchaser and shall be effective from date of purchase as shown on purchaser's receipt.

Delta Faucet Company will replace, FREE OF CHARGE, during the warranty period, any part which proves defective in material and/or workmanship under normal installation, use, and service. Replacement parts can be obtained from your local dealer or distributor listed in the telephone directory or by returning the part to our factory. TRANSPORTATION CHARGES PREPAID, at the address listed. THIS WARRANTY IS THE ONLY EXPRESS WARRANTY MADE BY DELTA FAUCET COMPANY AND IS LIMITED TO DEFECTIVE PARTS REPLACEMENT ONLY. ANY OTHER WARRANTIES INCLUDING THE IMPLIED WARRANTIES OF MERCHANTABILITY AND FITNESS FOR A PARTICULAR PURPOSE ARE LIMITED TO THE DURATION OF THIS WARRANTY. LABOR CHARGES AND/OR DAMAGE INCURRED IN INSTALLATION, REPAIR OR REPLACEMENT AS WELL AS INCIDENTAL AND CONSEQUENTIAL DAMAGES CONNECTED THEREWITH ARE EXCLUDED AND WILL NOT BE PAID BY DELTA FAUCET COMPANY.

Some states do not allow the exclusion or limitation of incidental or consequential damages, so the above limitation or exclusion may not apply to you.

This warranty is void for any damage to this faucet due to misuse, neglect, accident, improper installation, any use violative of instructions furnished by us, or any use of replacement parts other than genuine Delta parts.

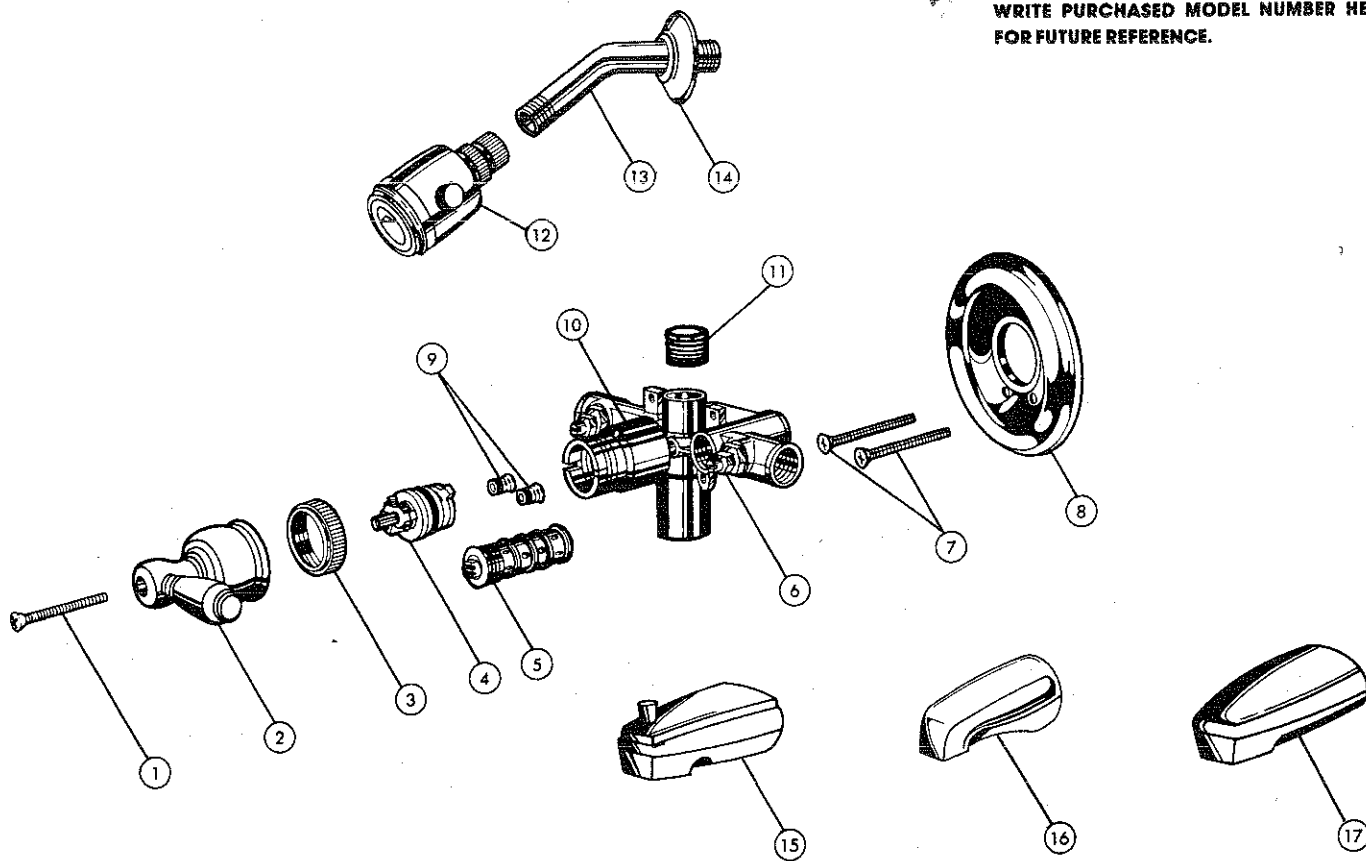


A Division of Masco Corporation of Indiana
Route 46 West PO. Box 47
Greensburg, Indiana 47240

NEO STYLE SINGLE HANDLE TUB AND SHOWER



WRITE PURCHASED MODEL NUMBER HERE
FOR FUTURE REFERENCE.



BEFORE YOU START... be sure to determine the type of installation you will be performing. Whether or not you will install your valve in a plaster wall, plaster wall with thick tile, or fiberglass, plastic or metal shower stall.

IMPORTANT—If you are installing in a plaster wall or plaster wall with thick tile: BE SURE THAT THE SURFACE OF THE PLASTER GUARD COVERING THE VALVE IS FLUSH WITH YOUR FINISHED WALL. If you are installing this valve on a fiberglass, plastic or metal shower stall with thin walls, an RP3888 mounting bracket is required to mount the valve to shower wall. (remove plaster guard from valve)

INSTALLATION INSTRUCTIONS

SHUT OFF WATER SUPPLIES

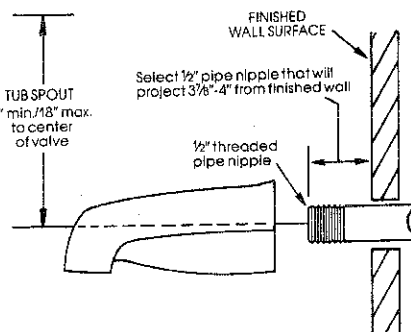
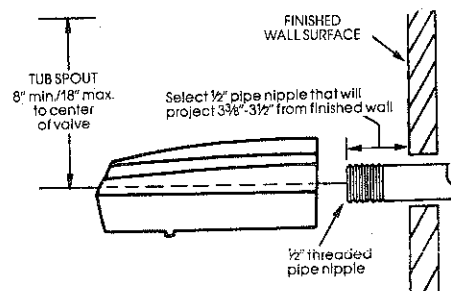
1. Install valve making sure that the "UP" marking on casting is on top. If you are making tub installation only, plug top outlet of valve with pipe plug (11). If you are making shower installation only, plug bottom outlet of valve.
2. Connect hot and cold supply lines to left and right inlets of valve body. Left is hot, right is cold. Threaded inlets are 1/2" iron pipe size. Sweat inlet option — 1/2" copper water tubing.
3. **FOR SHOWER HEAD INSTALLATION** connect top outlet to shower arm (13) with proper

fittings. To prevent damage to finish on shower arm, insert wall end of shower arm into flange (14) before screwing arm into riser connection.

4. **FOR TUB SPOUT INSTALLATION** it will be necessary to identify the spout you are installing to determine which instructions to follow. IF YOU ARE INSTALLING TUB SPOUT (15) RP7533/ RP7533BC, you will find printed installation instructions on the plastic bag your tub spout is packaged in.

- IF YOU ARE INSTALLING TUB SPOUT (16) RP5833. This tub spout is designed for 1/2" pipe installations. All other connections will require appropriate reducers. Use teflon tape for threaded connection.

- IF YOU ARE INSTALLING TUB SPOUT (17) RP7893BC. This tub spout is designed for 1/2" pipe installations. All other connections will require appropriate reducers. Use teflon tape for threaded connection.



HELPFUL HINTS:

*Connection of deck mount spouts to in wall valves is not recommended. Neither is the use of hand showers connected to tubspouts in a tub/shower push button diverter combination.

5. Place handle on valve stem and turn handle to full on mixed position. Turn on water supplies, check for leaks and let lines flush for one minute without moving faucet handle. This will remove debris from lines which can damage internal parts of faucet and create leaks. After flushing shut off water at faucet. Remove handle and attach escutcheon (8). Replace handle.

6. SET TEMPERATURE CONTROL.

Turn on hot water and run until it is the hottest it will get. Turn handle back approximately half-way toward off and allow water to get coolest

LEAVE THIS INSTRUCTION SHEET WITH INSTALLED FAUCET!



it will get at this setting. Allow approximately three minutes for temperatures to adjust themselves.

7. Place a thermometer in a plastic tumbler, turn on water and hold the tumbler in the water stream. Slowly turn the handle, adjusting the water until the thermometer reads 112°F (44° C). Remove handle and with a allen wrench, screw set screw on stem unit assembly (4) clockwise until it touches stop on bushing. This will set the upper limit temperature.

8. Replace handle, turn faucet off and then back on as far as possible. Recheck water temperature. If necessary, make further adjustment of set screw. The 112° setting will become the maximum temperature you can ever get from this faucet as long as the inlet temperatures remain the same.

MAINTENANCE

WHEN PERFORMING ROUTINE MAINTENANCE, DO NOT VOID YOUR WARRANTY BY INSTALLING NON-GENUINE PARTS. USE ONLY AUTHORIZED PARTS THAT CARRY THE DELTA® GENUINE PARTS LOGO. YOU WILL FIND DETAILED MAINTENANCE INSTALLATION INSTRUCTIONS ON THE BACK OF ALL OUR CARDED REPAIR KITS.

IMPORTANT—AFTER ANY MAINTENANCE THOROUGHLY FLUSH THE FAUCET AS PREVIOUSLY STATED IN THE INSTALLATION INSTRUCTIONS.

- 1. IF FAUCET LEAKS FROM TUB SPOUT/ SHOWERHEAD—SHUT OFF WATER SUPPLIES, replace seats and springs (9) REPAIR KIT RP4993
- 2. IF LEAK PERSISTS—SHUT OFF WATER SUPPLIES, replace stem unit assembly (4) REPAIR KIT RP1991
- 3. IF UNABLE TO MAINTAIN CONSTANT WATER TEMPERATURE—SHUT OFF WATER SUPPLIES, clean balance spool assembly (5).

MODELS

KEY	PART DESCRIPTION	ORDER NUMBER	MODELS							
			1667	1667 BC	1677	1677 BC	1678	1678 BC	1687	1687 BC
1.	Screw	RP15552	●	●	●	●	●	●	●	●
		RP15552BC	●	●	●	●	●	●	●	●
2.	Handle	RP14787	*	*	*	*	*	*	*	*
		RP14787 OAK	*	*	*	*	*	*	*	*
		RP14787 WC	*	*	*	*	*	*	*	*
		RP14787 BC	*	*	*	*	*	*	*	*
		RP14787 BC OAK	*	*	*	*	*	*	*	*
		RP14787 WB	*	*	*	*	*	*	*	*
3.	Bonnet	RP6079	●	●	●	●	●	●	●	●
		RP6079 CG	●	●	●	●	●	●	●	●
4.	Stem Unit Assembly	RP1991	●	●	●	●	●	●	●	●
5.	Balance Spool Assembly	RP574	●	●	●	●	●	●	●	●
6.	Stop Stem Assembly	RP6485								
		RP2090								
7.	Screws	RP196	●	●	●	●	●	●	●	●
		RP196 BC	●	●	●	●	●	●	●	●
8.	Escutcheon	RP7577	●	●	●	●	●	●	●	●
		RP7577 BC	●	●	●	●	●	●	●	●
		RP6083								
		RP6083 BC								
9.	Seats and Springs	RP4993	●	●	●	●	●	●	●	●
10.	Sleeve	RP6081	●	●	●	●	●	●	●	●
		RP6081 BC	●	●	●	●	●	●	●	●
11.	Pipe Plug	RP15947	●	●	●	●	●	●	●	●
12.	Showerhead	RP15553								
		RP1553 BC								
13.	Shower Arm	RP6023								
		RP6023 BC								
14.	Shower Flange	RP6025								
		RP6025 BC								
15.	Tub Spout-Diverter	RP7533								
		RP7533 BC								
16.	Tub Spout-Non Diverter	RP5833	●							
17.	Tub Spout-Non Diverter	RP7893 BC	●							

*Available Handle Options

CARE INSTRUCTIONS

Your Delta® Faucet is designed and engineered in accordance with the highest quality and performance standards. With proper care, it will give you years of trouble free service. Care should be given to the cleaning of this product. Although its finish is extremely durable, it can be damaged by harsh abrasives or polish. To clean, wipe gently with a damp cloth and blot dry with a soft towel.

DELTA LIMITED WARRANTY

All parts of the Delta faucet are warranted to the original consumer purchaser to be free from defects in material and workmanship for a period of two (2) years. This warranty is made to the original consumer purchaser and shall be effective from date of purchase as shown of purchaser's receipt.

Delta Faucet Company will replace, FREE OF CHARGE, during the warranty period, any part which proves defective in material and/or workmanship under normal installation, use, and service. Replacement parts can be obtained from your local dealer or distributor listed in the telephone directory or by returning the part to our factory. TRANSPORTATION CHARGES PREPAID, at the address listed. THIS WARRANTY IS THE ONLY EXPRESS WARRANTY MADE BY DELTA FAUCET COMPANY AND IS LIMITED TO DEFECTIVE PARTS REPLACEMENT ONLY. ANY OTHER WARRANTIES INCLUDING THE IMPLIED WARRANTIES OF MERCHANTABILITY AND FITNESS FOR A PARTICULAR PURPOSE ARE LIMITED TO THE DURATION OF THIS WARRANTY. LABOR CHARGES AND/OR DAMAGE INCURRED IN INSTALLATION, REPAIR OR REPLACEMENT AS WELL AS INCIDENTAL AND CONSEQUENTIAL DAMAGES CONNECTED THEREWITH ARE EXCLUDED AND WILL NOT BE PAID BY DELTA FAUCET COMPANY.

Some states do not allow the exclusion or limitation of incidental or consequential damages, so the above limitation or exclusion may not apply to you.

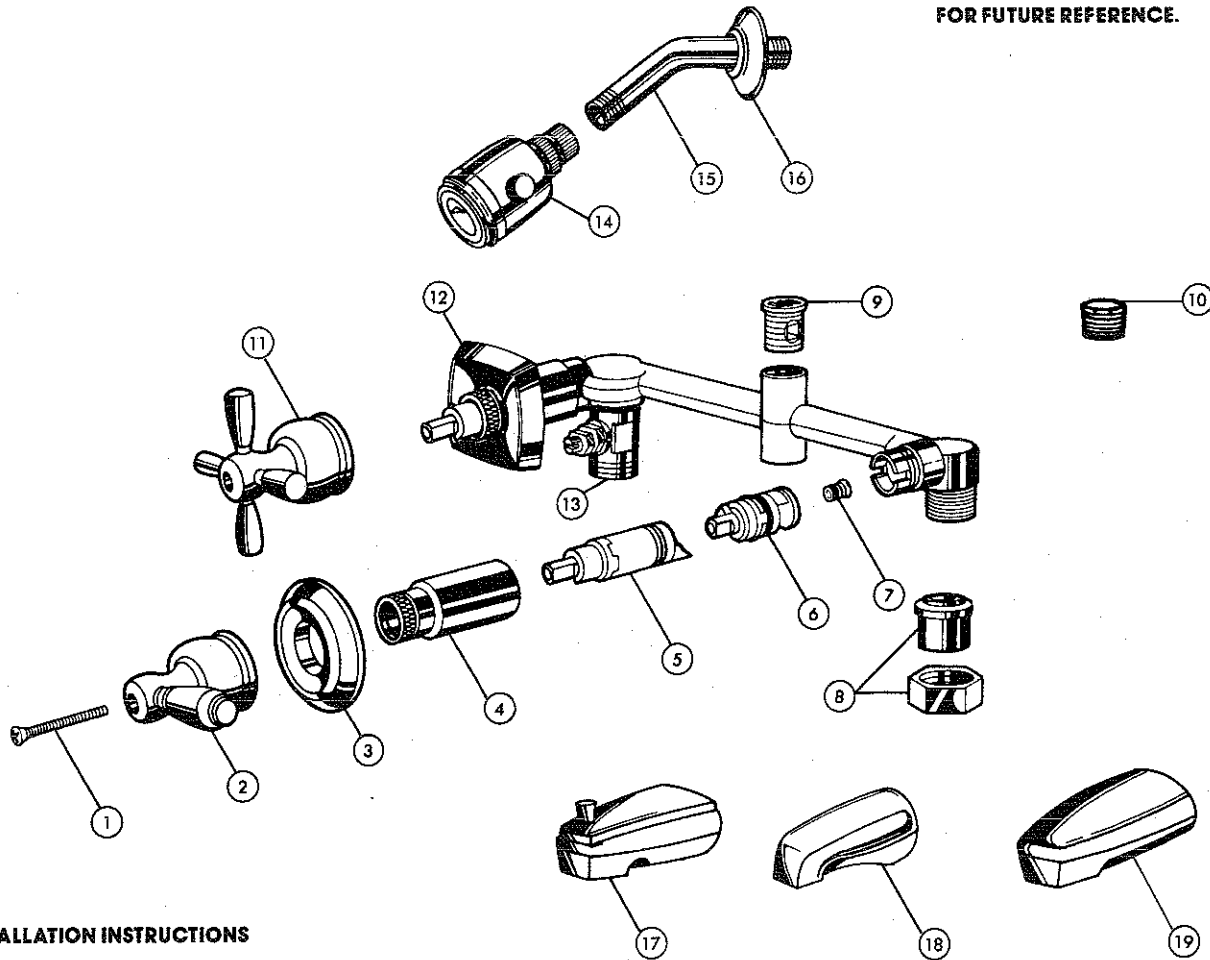
This warranty is void for any damage to this faucet due to misuse, neglect, accident, improper installation, any use violative of instructions furnished by us, or any use of replacement parts other than genuine Delta parts.



A Division of Masco Corporation of Indiana
Route 46 West P.O. Box 47
Greensburg, Indiana 47240

NEO STYLE TWO HANDLE TUB AND SHOWER

WRITE PURCHASED MODEL NUMBER HERE
FOR FUTURE REFERENCE.



INSTALLATION INSTRUCTIONS

SHUT OFF WATER SUPPLIES

1. Install rigid casting so finished wall falls between the lines marked on valve plaster guards. If you are making tub installation only, plug top outlet of casting with pipe plug (10). If you are making shower installation only, plug bottom outlet of casting.

2. Connect hot (left inlet) and cold (right inlet) supply lines to casting. If valve is supplied with universal union connections (8), connections will accept 1/2" copper water tubing or 1/2" iron pipe. If valve is supplied with sweat inlets, casting will accept 1/2" copper water tubing.

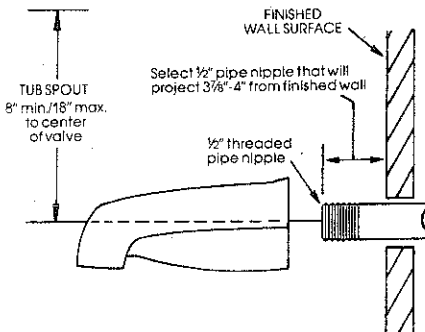
3. FOR SHOWER HEAD INSTALLATION connect top outlet to shower arm (15) with proper fittings. To prevent damage to finish on shower arm, insert wall end of shower arm into flange (16) before screwing arm into riser connection.

4. FOR TUB SPOUT INSTALLATION! It will be necessary to identify the spout you are installing to determine which instructions to follow.

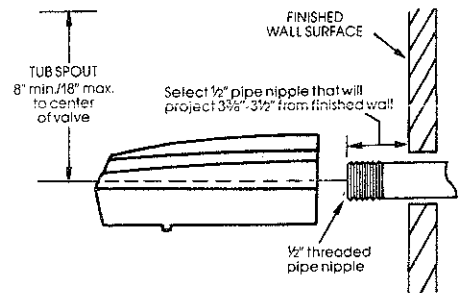
HELPFUL HINTS:
Connection of deck mount spouts to in wall valves is not recommended.

IF YOU ARE INSTALLING TUB SPOUT (17) RP7533/RP7533BC you will find printed installation instructions on the plastic bag your tub spout is packaged in.

IF YOU ARE INSTALLING TUB SPOUT (18) RP5833. This tub spout is designed for 1/2" pipe installations. All other connections will require appropriate reducers. Use teflon tape for threaded connection.



IF YOU ARE INSTALLING TUB SPOUT (19) RP7893BC. This tub spout is designed for 1/2" pipe installations. All other connections will require appropriate reducers. Use teflon tape for threaded connection.



5. Place handles on valve stems and turn handles to full on position. Turn on water supplies, check for leaks and let lines flush for one minute without moving faucet handles. This will remove debris from lines which can damage internal parts of faucet and create leaks. After flushing shut off water at faucet. Remove handles and attach escutcheons. Replace handles.

LEAVE THIS INSTRUCTION SHEET WITH INSTALLED FAUCET!



MAINTENANCE

WHEN PERFORMING ROUTINE MAINTENANCE, DO NOT VOID YOUR WARRANTY BY INSTALLING NON-GENUINE PARTS. USE ONLY AUTHORIZED PARTS THAT CARRY THE DELTA® GENUINE PARTS LOGO. YOU WILL FIND DETAILED MAINTENANCE INSTALLATION INSTRUCTIONS ON THE BACK OF ALL OUR CARDED REPAIR KITS.

IMPORTANT—AFTER ANY MAINTENANCE THOROUGHLY FLUSH THE FAUCET AS PREVIOUSLY STATED IN THE INSTALLATION INSTRUCTIONS.

- 1. IF FAUCET LEAKS FROM TUB SPOUT/SHOWER HEAD—SHUT OFF WATER SUPPLIES, replace seats and springs (7) REPAIR KIT RP4993
- 2. IF LEAK PERSISTS—SHUT OFF WATER SUPPLIES, replace stem unit assembly (6) REPAIR KIT RP1740

IMPORTANT—STEM UNITS MUST BE REPLACED CORRECTLY FOR PROPER HANDLE ROTATION. For cross handles (11), stem units must be installed so stops on stems point to center of faucet. For lever handles (2), stem units must be installed so stops on stems both point to the right.

CARE INSTRUCTIONS

Your Delta® Faucet is designed and engineered in accordance with the highest quality and performance standards. With proper care, it will give you years of trouble free service. Care should be given to the cleaning of this product. Although its finish is extremely durable, it can be damaged by harsh abrasives or polish. To clean, wipe gently with a damp cloth and blot dry with a soft towel.

KEY	PART DESCRIPTION	ORDER NUMBER	MODELS														
			2667	2667 BC	2667 WS	2667 BC WS	2677	2677 BC	2677 WS	2677 BC WS	2687	2687 BC	2687 WS	2687 BC WS			
1.	Screws	RP12630	●	●	●	●	●	●	●	●	●	●	●	●	●	●	●
		RP12630 BC	●	●	●	●	●	●	●	●	●	●	●	●	●	●	●
2.	Handles-Lever	RP14788	*	*	*	*	*	*	*	*	*	*	*	*	*	*	*
		RP14788 OAK	*	*	*	*	*	*	*	*	*	*	*	*	*	*	*
		RP14788 WC	*	*	*	*	*	*	*	*	*	*	*	*	*	*	*
		RP14788 BC	*	*	*	*	*	*	*	*	*	*	*	*	*	*	*
		RP14788 BC OAK	*	*	*	*	*	*	*	*	*	*	*	*	*	*	*
		RP14788 WB	*	*	*	*	*	*	*	*	*	*	*	*	*	*	*
3.	Escutcheon	RP15554	●	●	●	●	●	●	●	●	●	●	●	●	●	●	●
		RP15554 BC	●	●	●	●	●	●	●	●	●	●	●	●	●	●	●
4.	Sleeve	RP10802	●	●	●	●	●	●	●	●	●	●	●	●	●	●	●
		RP10802 BC	●	●	●	●	●	●	●	●	●	●	●	●	●	●	●
5.	Extenders w/Screws	RP12632	●	●	●	●	●	●	●	●	●	●	●	●	●	●	●
		RP12632 BC	●	●	●	●	●	●	●	●	●	●	●	●	●	●	●
6.	Stem Unit Assembly	RP1740	●	●	●	●	●	●	●	●	●	●	●	●	●	●	●
7.	Seals and Springs	RP4993	●	●	●	●	●	●	●	●	●	●	●	●	●	●	●
8.	Universal Union Connections	RP6203	●	●	●	●	●	●	●	●	●	●	●	●	●	●	●
9.	Ejector	RP6191	●	●	●	●	●	●	●	●	●	●	●	●	●	●	●
10.	Pipe Plug	RP15917	●	●	●	●	●	●	●	●	●	●	●	●	●	●	●
11.	Handles-Cross	RP15081	*	*	*	*	*	*	*	*	*	*	*	*	*	*	*
		RP15081 BC	*	*	*	*	*	*	*	*	*	*	*	*	*	*	*
12.	Escutcheon	RP6150	●	●	●	●	●	●	●	●	●	●	●	●	●	●	●
		RP6150 BC	●	●	●	●	●	●	●	●	●	●	●	●	●	●	●
13.	Stop Stem Assembly	RP6185	●	●	●	●	●	●	●	●	●	●	●	●	●	●	●
14.	Showerhead	RP15553	●	●	●	●	●	●	●	●	●	●	●	●	●	●	●
		RP15553 BC	●	●	●	●	●	●	●	●	●	●	●	●	●	●	●
15.	Shower Arm	RP6023	●	●	●	●	●	●	●	●	●	●	●	●	●	●	●
		RP6023 BC	●	●	●	●	●	●	●	●	●	●	●	●	●	●	●
16.	Shower Flange	RP6025	●	●	●	●	●	●	●	●	●	●	●	●	●	●	●
		RP6025 BC	●	●	●	●	●	●	●	●	●	●	●	●	●	●	●
17.	Tub Spout-Diverter	RP7533	●	●	●	●	●	●	●	●	●	●	●	●	●	●	●
		RP7533 BC	●	●	●	●	●	●	●	●	●	●	●	●	●	●	●
18.	Tub Spout-Non Diverter	RP5833	●	●	●	●	●	●	●	●	●	●	●	●	●	●	●
19.	Tub Spout-Non Diverter	RP7893 BC	●	●	●	●	●	●	●	●	●	●	●	●	●	●	●

*Available Handle Options

DELTA LIMITED WARRANTY

All parts of the Delta faucet are warranted to the original consumer purchaser to be free from defects in material and workmanship for a period of two (2) years. This warranty is made to the original consumer purchaser and shall be effective from date of purchase as shown of purchaser's receipt.

Delta Faucet Company will replace, FREE OF CHARGE, during the warranty period, any part which proves defective in material and/or workmanship under normal installation, use, and service. Replacement parts can be obtained from your local dealer or distributor listed in the telephone directory or by returning the part to our factory. TRANSPORTATION CHARGES PREPAID, at the address listed. THIS WARRANTY IS THE ONLY EXPRESS WARRANTY MADE BY DELTA FAUCET COMPANY AND IS LIMITED TO DEFECTIVE PARTS REPLACEMENT ONLY. ANY OTHER WARRANTIES INCLUDING THE IMPLIED WARRANTIES OF MERCHANTABILITY AND FITNESS FOR A PARTICULAR PURPOSE ARE LIMITED TO THE DURATION OF THIS WARRANTY. LABOR CHARGES AND/OR DAMAGE INCURRED IN INSTALLATION, REPAIR OR REPLACEMENT AS WELL AS INCIDENTAL AND CONSEQUENTIAL DAMAGES CONNECTED THEREWITH ARE EXCLUDED AND WILL NOT BE PAID BY DELTA FAUCET COMPANY.

Some states do not allow the exclusion or limitation of incidental or consequential damages, so the above limitation or exclusion may not apply to you.

This warranty is void for any damage to this faucet due to misuse, neglect, accident, improper installation, any use violative of instructions furnished by us, or any use of replacement parts other than genuine Delta parts.



A Division of Masco Corporation of Indiana
Route 46 West P.O. Box 47
Greensburg, Indiana 47240

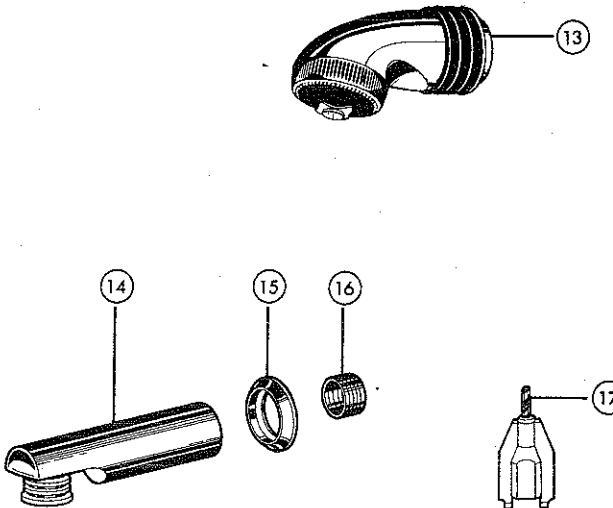
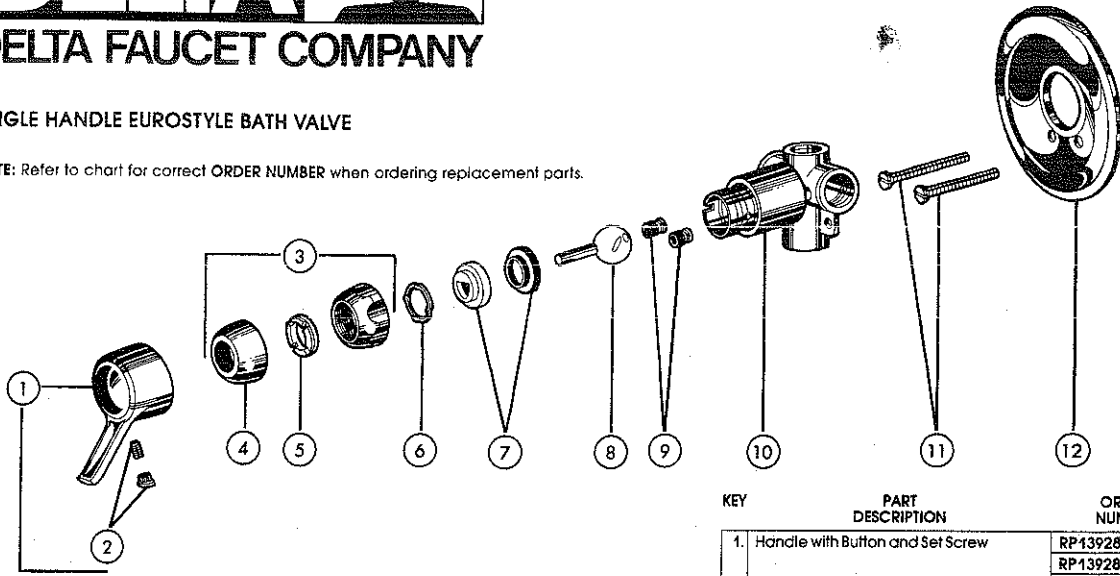


A Division of Masco Corporation of Indiana
Route 46 West P.O. Box 47
Greensburg, Indiana 47240

INSTALLATION GUIDE

SINGLE HANDLE EUROSTYLE BATH VALVE

NOTE: Refer to chart for correct ORDER NUMBER when ordering replacement parts.



WHEN PERFORMING ROUTINE MAINTENANCE,
USE ONLY GENUINE DELTA REPLACEMENT PARTS.

AFTER INSTALLATION
Allow hot and cold water to flow
for one minute each to flush lines.

KEY	PART DESCRIPTION	ORDER NUMBER	MODELS						
			25644 AL	25644 RD	25644 WH	25644 GR	25621 RD	25621 WH	25621 GR
1.	Handle with Button and Set Screw	RP13928AL	●						
		RP13928RD		●					
		RP13928WH			●				
		RP13928GR				●			
2.	Button and Set Screw	RP13929	●	●	●	●	●	●	
		RP13930AL	●						
3.	Cap Assembly	RP13930RD		●					
		RP13930WH			●				
		RP13930GR				●			
		RP13931AL					●		
4.	Cap	RP13931RD			●				
		RP13931WH				●			
		RP13931GR					●		
		RP250	●	●	●	●	●	●	
5.	Adjusting Ring	RP250	●	●	●	●	●		
6.	Spring Washer	RP13932	●	●	●	●	●		
7.	Cam Assembly	RP61	●	●	●	●	●		
8.	Ball Assembly	RP40797	●	●	●	●	●		
9.	Seats and Springs	RP4993	●	●	●	●	●		
10.	Sleeve	RP13949AL		●					
		RP13949RD			●				
		RP13949WH				●			
		RP13949GR					●		
11.	Screws	RP13950	●	●	●	●	●		
		RP13951AL		●					
		RP13951RD			●				
		RP13951WH				●			
12.	Escutcheon	RP13951GR				●			
		RP13952AL		●					
		RP13952RD			●				
		RP13952WH				●			
13.	Showerhead	RP13952GR					●		
		RP13953AL		●					
		RP13953RD			●				
		RP13953WH				●			
14.	Tub Spout Diverter	RP13953GR				●			
		RP13954AL		●					
		RP13954RD			●				
		RP13954WH				●			
15.	Collar	RP13954GR					●		
		RP13955	●	●	●	●	●		
		RP13941	●	●	●	●	●		
		RP13941	●	●	●	●	●		

MODEL AND ORDER NUMBER FINISH SUFFIXES:
AL = Almond, RD = Red, WH = White, GR = Gray

DELTA LIMITED WARRANTY

All parts and colored INFRACRYL™ surfaces of the Delta faucet are warranted to the original consumer purchaser to be free from defects in material and workmanship for a period of two (2) years. This warranty is made to the original consumer purchaser and shall be effective from date of purchase as shown on purchaser's receipt.

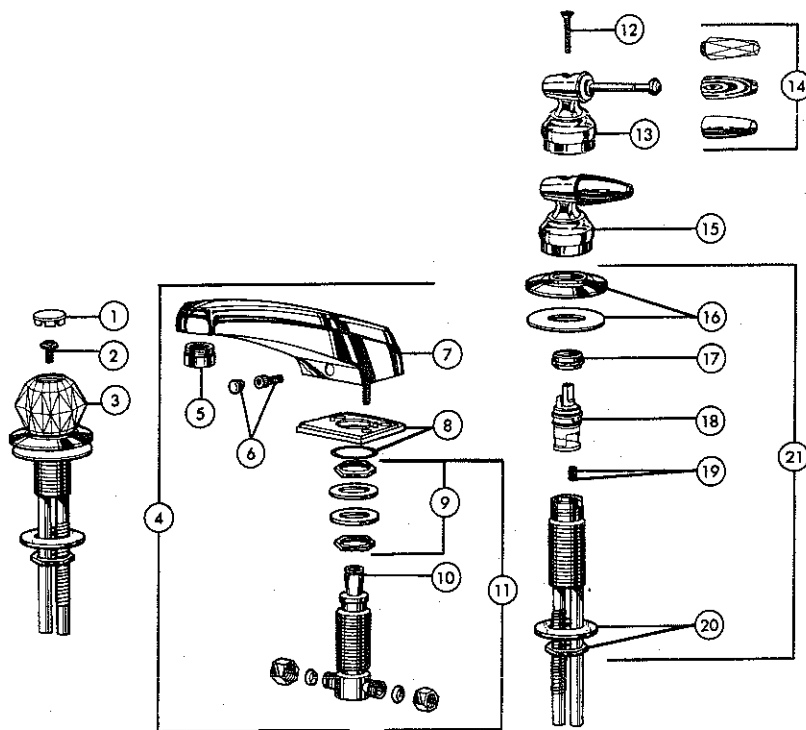
Delta Faucet Company will replace, FREE OF CHARGE, during the warranty period, any part which proves defective in material and/or workmanship under normal installation, use, and service. Replacement parts can be obtained from your local dealer or distributor listed in the telephone directory or by returning the part to our factory. TRANSPORTATION CHARGES PREPAID, at the address listed. THIS WARRANTY IS THE ONLY EXPRESS WARRANTY MADE BY DELTA FAUCET COMPANY, AND IS LIMITED TO DEFECTIVE PARTS ONLY. ANY OTHER WARRANTIES INCLUDING THE IMPLIED WARRANTIES OF MERCHANTABILITY AND FITNESS FOR A PARTICULAR PURPOSE ARE LIMITED TO THE DURATION OF THIS WARRANTY. LABOR CHARGES AND/OR DAMAGE INCURRED IN INSTALLATION, REPAIR OR REPLACEMENT AS WELL AS INCIDENTAL AND CONSEQUENTIAL DAMAGES CONNECTED THEREWITH ARE EXCLUDED AND WILL NOT BE PAID BY DELTA FAUCET COMPANY.

Some states do not allow the exclusion or limitation of incidental or consequential damages, so the above limitation or exclusion may not apply to you.

This warranty is void for any damage to this faucet due to misuse, neglect, accident, improper installation, any use violative of instructions furnished by us, or any use of replacement parts other than genuine Delta parts.

LEAVE THIS INSTRUCTION SHEET WITH INSTALLED FAUCET!

WRITE PURCHASED MODEL NUMBER HERE FOR FUTURE REFERENCE.



INSTALLATION INSTRUCTIONS

SHUT OFF WATER SUPPLIES

1. Mount the spout adapter assembly (11) using the two nuts and washers (9). When correctly positioned, the top of the spout adapter (11) should be 1 1/8" min. to 1 3/4" max. above the FINISHED surface (tub flange, tile, etc.).
2. After mounting the spout adapter assembly, snap the white plastic test cap onto the top of the body. This cap will protect the O-ring during the finishing work around the tub area and will allow for leak checking prior to assembling the spout.
3. Remove cardboard sleeve, nut and washer (20) from end valve body (21). Thread the base and gasket (16) onto the end valve body. Place the end valve into selected hole and position so that the flexible outlet tube is facing toward the spout connection and the straight inlet tube toward the outside. Mount the washer and nut (20) and tighten with wrench. **IMPORTANT**—Be sure valve is positioned properly.
4. Repeat step 3. for remaining end valve body.
5. Connect the flexible tubes to the spout body using the ferrules and nuts provided or by soldering tubes to tee portion of shank.

6. Assemble handles to stem unit (18) with screws provided. **IMPORTANT**—STEM UNITS MUST BE INSTALLED CORRECTLY FOR PROPER HANDLE ROTATION. For knob handles (3), stem units must be installed so stops on stems point to center of faucet. For lever handles (13) or (15), stem units must be installed so stops on stems both point to the right.
7. Next use the black plastic spout base (8) as a template to mark the hole required for the locating pin on the spout assembly. Center the base over the spout body with the smooth side up and the straight edge facing toward the desired spout direction. Mark the position of the hole on the right front side of spout base (as you face the faucet), and drill a 3/8" diameter hole. This hole will provide clearance for the locating pin, which helps lock the spout into position and prevents it from rotating.
8. To assemble the spout, first remove the plastic test cap from the spout adapter (11) by prying out the three fingers with the locking tabs. This can be done using needle nose pliers or a screwdriver. **IMPORTANT**—Use caution not to damage the O-Ring (10) on the spout adapter.

9. Place the black plastic spout base (8) on top of the deck with the smooth side that has 2 projections facing upward. If the deck or your mounting surface is uneven and the base with O-ring does not seal, use of plumbers putty may be required.
10. Mount spout (7) onto spout adapter (11) making sure to align the locating pin on spout with the hole in base and that spout is pushed down completely. Tighten screw (6) making sure the spout is aligned in desired position. Snap plug button (6) into the spout under-cover plate.
11. Make connections to water lines. **IMPORTANT**—After connections have been made, remove stream straightener (5), turn handles to full on position. Turn on water supplies, check for leaks and let lines flush for one minute without moving faucet handles. This will remove debris from lines which can damage internal parts of faucet and create leaks. After flushing shut off water at faucet and replace stream straightener.

The Delta® products shown here are protected by one or more of the following US Patents: 3,645,493, 3,786,995, 4,523,604, 4,562,960, 4,593,430, 4,248,785 4,577,653.

LEAVE THIS INSTRUCTION SHEET WITH INSTALLED FAUCET!



MAINTENANCE

WHEN PERFORMING ROUTINE MAINTENANCE, DO NOT VOID YOUR WARRANTY BY INSTALLING NON-GENUINE PARTS. USE ONLY AUTHORIZED PARTS THAT CARRY THE DELTA® GENUINE PARTS LOGO. YOU WILL FIND DETAILED MAINTENANCE INSTALLATION INSTRUCTIONS ON THE BACK OF ALL OUR CARDED REPAIR KITS.

IMPORTANT—AFTER ANY MAINTENANCE THOROUGHLY FLUSH THE FAUCET AS PREVIOUSLY STATED IN THE INSTALLATION INSTRUCTIONS.

1. IF FAUCET LEAKS FROM SPOUT—SHUT OFF WATER SUPPLIES, replace seats and springs (19), REPAIR KIT RP4993.†

2. IF LEAK PERSISTS—SHUT OFF WATER SUPPLIES, replace stem unit assembly (18), REPAIR KIT RP1740.†

†IMPORTANT—STEM UNITS MUST BE REPLACED CORRECTLY FOR PROPER HANDLE ROTATION. For knob handles (3), stem units must be installed so stops on stems point to center of faucet. For lever handles (13) & (15), stem units must be installed so stops on stems both point to the right.

3. IF FAUCET LEAKS FROM UNDER SPOUT—Replace O-ring (10), REPAIR KIT RP16613.

CARE INSTRUCTIONS FOR SPECIAL FINISH FAUCETS.

Your *Delta Faucet Award Collection* faucet is designed and engineered in accordance with the highest quality and performance standards. With proper care, it will give you years of trouble free service. Care should be given to the cleaning of this product. Although its finish is extremely durable, it can be damaged by harsh abrasives or polish. To clean, simply wipe gently with a damp cloth and blot dry with a soft towel.

MODELS

KEY	PART DESCRIPTION	ORDER NUMBER	MODELS									
			2740	2740 BC	2740 CG	908	2740 SHP	2740 AB SHP	2740 BC SHP	2740 CG SHP	2740 CB BRS	
1.	Button Set	RP5692	●	●	●	●	●	●	●	●	●	●
		RP6320	●	●	●	●	●	●	●	●	●	●
2.	Screws	RP5885	●	●	●	●	●	●	●	●	●	●
3.	Handles	RP5218	●	●	●	●	●	●	●	●	●	●
		RP5220	●	●	●	●	●	●	●	●	●	●
4.	Spout Assembly	RP6391	●	●	●	●	●	●	●	●	●	●
		RP6391 BC	●	●	●	●	●	●	●	●	●	●
		RP6391 CG	●	●	●	●	●	●	●	●	●	●
		RP6395	●	●	●	●	●	●	●	●	●	●
5.	Stream Straightener	RP5244	●	●	●	●	●	●	●	●	●	●
		RP5244 BC	●	●	●	●	●	●	●	●	●	●
		RP5244 CG	●	●	●	●	●	●	●	●	●	●
6.	Button and Screw	RP16609	●	●	●	●	●	●	●	●	●	●
		RP16609 BC	●	●	●	●	●	●	●	●	●	●
		RP16609 CG	●	●	●	●	●	●	●	●	●	●
7.	Spout	RP16610	●	●	●	●	●	●	●	●	●	●
		RP16610 BC	●	●	●	●	●	●	●	●	●	●
		RP16610 CG	●	●	●	●	●	●	●	●	●	●
		RP16610 AB	●	●	●	●	●	●	●	●	●	●
8.	Base and O-Ring	RP16611	●	●	●	●	●	●	●	●	●	
9.	Nuts and Washers	RP16612	●	●	●	●	●	●	●	●	●	
10.	O-Ring	RP16613	●	●	●	●	●	●	●	●	●	
11.	Spout Adapter Assy.	RP16614	●	●	●	●	●	●	●	●	●	
12.	Screws	RP16615	●	●	●	●	●	●	●	●	●	●
		RP16615 CG	●	●	●	●	●	●	●	●	●	●
		RP16615 BC	●	●	●	●	●	●	●	●	●	●
13.	Handle Bases w/Screws**	RP16616	●	●	●	●	●	●	●	●	●	●
		RP16616 AB	●	●	●	●	●	●	●	●	●	●
		RP16616 BC	●	●	●	●	●	●	●	●	●	●
		RP16616 CG	●	●	●	●	●	●	●	●	●	●
14.	Lever Handles—Crystal —Oak —Rosewood —Porcelain —Brass	RP15426	●	●	●	●	●	●	●	●	●	●
		RP15426 OAK	●	●	●	●	●	●	●	●	●	●
		RP15426 ROS	●	●	●	●	●	●	●	●	●	●
		RP15426 POR	●	●	●	●	●	●	●	●	●	●
		RP15426 BRS	●	●	●	●	●	●	●	●	●	●
		RP15426 AB BRS	●	●	●	●	●	●	●	●	●	●
15.	Handles w/Screws—Brass	RP16617 CB BRS	●	●	●	●	●	●	●	●	●	●
		RP6409	●	●	●	●	●	●	●	●	●	●
		RP6409 BC	●	●	●	●	●	●	●	●	●	●
		RP6409 CG	●	●	●	●	●	●	●	●	●	●
16.	Base w/Gasket	RP6415	●	●	●	●	●	●	●	●	●	●
		RP6060	●	●	●	●	●	●	●	●	●	●
		RP6060 CG	●	●	●	●	●	●	●	●	●	●
17.	Bonnets	RP1740	●	●	●	●	●	●	●	●	●	●
		RP1740 BC	●	●	●	●	●	●	●	●	●	●
18.	Stem Unit Assy.	RP1740	●	●	●	●	●	●	●	●	●	
19.	Seats and Springs	RP4993	●	●	●	●	●	●	●	●	●	
20.	Nuts and Washers	RP6054	●	●	●	●	●	●	●	●	●	
21.	End Valve Assy.	RP16499	●	●	●	●	●	●	●	●	●	●
		RP16499 BC	●	●	●	●	●	●	●	●	●	●
		RP16499 CG	●	●	●	●	●	●	●	●	●	●
		RP16499 AB	●	●	●	●	●	●	●	●	●	●

*Optional Lever Handles

**Lever Handles Must Be Ordered Separately To Complete Assembly.

DELTA LIMITED WARRANTY

All parts of the *Delta* faucet are warranted to the original consumer purchaser to be free from defects in material and workmanship for a period of two (2) years. This warranty is made to the original consumer purchaser and shall be effective from date of purchase as shown of purchaser's receipt.

Delta Faucet Company will replace, FREE OF CHARGE, during the warranty period, any part which proves defective in material and/or workmanship under normal installation, use, and service. Replacement parts can be obtained from your local dealer or distributor listed in the telephone directory or by returning the part to our factory. TRANSPORTATION CHARGES PREPAID, at the address listed. THIS WARRANTY IS THE ONLY EXPRESS WARRANTY MADE BY *DELTA FAUCET COMPANY* AND IS LIMITED TO DEFECTIVE PARTS REPLACEMENT ONLY. ANY OTHER WARRANTIES INCLUDING THE IMPLIED WARRANTIES OF MERCHANTABILITY AND FITNESS FOR A PARTICULAR PURPOSE ARE LIMITED TO THE DURATION OF THIS WARRANTY. LABOR CHARGES AND/OR DAMAGE INCURRED IN INSTALLATION, REPAIR OR REPLACEMENT AS WELL AS INCIDENTAL AND CONSEQUENTIAL DAMAGES CONNECTED THEREWITH ARE EXCLUDED AND WILL NOT BE PAID BY *DELTA FAUCET COMPANY*.

Some states do not allow the exclusion or limitation of incidental or consequential damages, so the above limitation or exclusion may not apply to you.

This warranty is void for any damage to this faucet due to misuse, neglect, accident, improper installation, any use violative of instructions furnished by us, or any use of replacement parts other than genuine *Delta* parts.



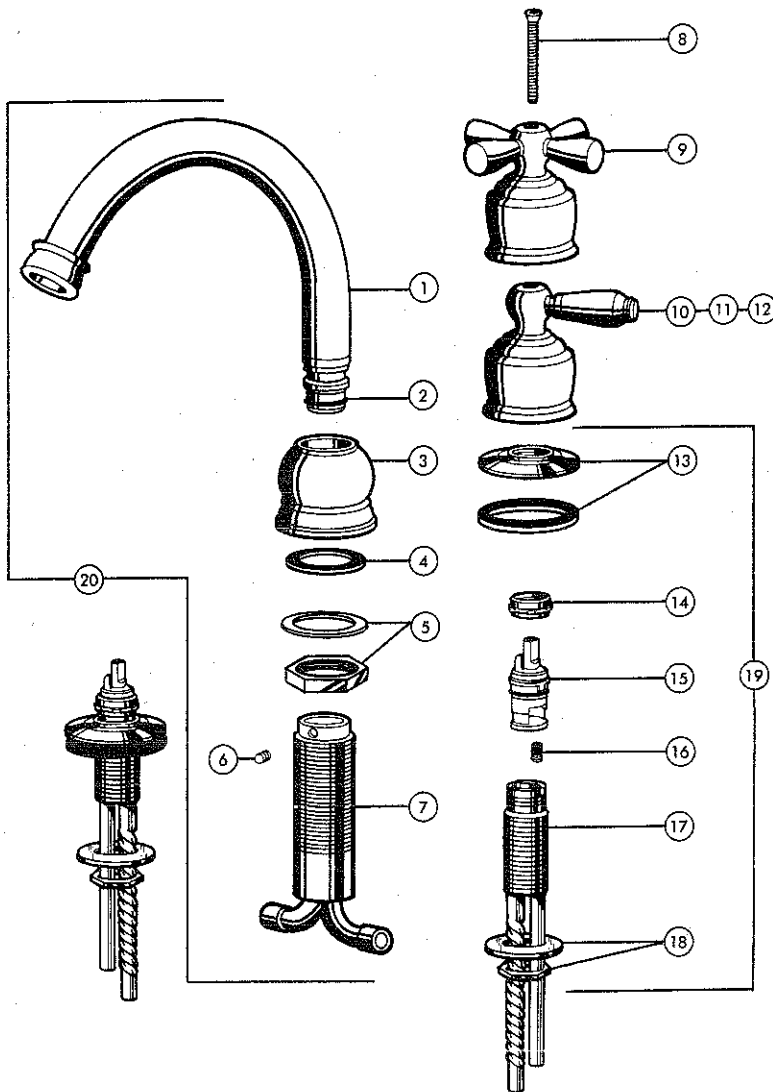
A Division of Masco Corporation of Indiana
Route 46 West P.O. Box 47
Greensburg, Indiana 47240



WRITE PURCHASED MODEL NUMBER HERE FOR FUTURE REFERENCE.

INSTALLATION INSTRUCTIONS

SHUT OFF WATER SUPPLIES



1. Place nut then washer (5) down over the top of spout body (7) and thread the nut as far down on body as possible, allowing the washer to rest on top of nut.

2. Carefully slip spout bonnet (3) up onto spout (1) making sure not to damage the finish on spout.

3. Insert spout body (7) up through center hole of deck with set screw hole facing tub. Place gasket (4) over spout body and let it rest on top of deck. Insert spout (1) into top of spout body and secure with set screw (6). Slide spout bonnet (3) back down spout and screw onto spout body.

4. Position spout assembly (20) on deck making sure gasket (4) is aligned in cavity of spout bonnet. Secure spout assembly to deck with nut and washer (5).

5. Install end valve assembly (19). Screw base (13) onto end body (17) until top of base is flush with top of large threads on body. Slip gasket (13) up under base and place end valve in side hole of deck making sure inlet tube is facing outward. Secure end valve (19) to deck using nut and washer (18).

6. Repeat step 5 for installation of second end valve.

7. Place handle of your choice (9), (10), (11) or (12) on end valves.

IMPORTANT—STEM UNITS (15) MUST BE INSTALLED CORRECTLY FOR PROPER HANDLE ROTATION. For cross handles (9) stem units must be installed so stops on stems point to center of faucet. For lever handles (10), (11) or (12) stem units must be installed so stops on stems both point to the right.

9. Make connections to water lines. **IMPORTANT**—After connections have been made turn handles to full on position. Turn on water supplies, check for leaks and let lines flush for one minute without moving faucet handles. This will remove any debris from lines which can damage internal parts of faucet and create leaks. After flushing shut off water at faucet.

HELPFUL HINTS:

IMPORTANT: To pressure test, remove spout (1) and spout bonnet (3). Screw 1/2" NPT pipe plug into top of spout body (7).

LEAVE THIS INSTRUCTION SHEET WITH INSTALLED FAUCET!

The Delta® products shown here are protected by one or more of the following U.S. Patents: 3,645,493, 3,786,995, 4,523,604, 4,562,960, 4,593,430, 4,218,785, 4,577,653.



MAINTENANCE

WHEN PERFORMING ROUTINE MAINTENANCE, DO NOT VOID YOUR WARRANTY BY INSTALLING NON-GENUINE PARTS. USE ONLY AUTHORIZED PARTS THAT CARRY THE DELTA® GENUINE PARTS LOGO. YOU WILL FIND DETAILED MAINTENANCE INSTALLATION INSTRUCTIONS ON THE BACK OF ALL OUR CARDED REPAIR KITS.

IMPORTANT—AFTER ANY MAINTENANCE THOROUGHLY FLUSH THE FAUCET AS PREVIOUSLY STATED IN THE INSTALLATION INSTRUCTIONS.

1. IF FAUCET LEAKS FROM SPOUT—SHUT OFF WATER SUPPLIES, replace seats and springs (16)* REPAIR KIT RP4993.

2. IF LEAK PERSISTS—SHUT OFF WATER SUPPLIES, replace stem unit assembly (15)* REPAIR KIT RP1740.

***IMPORTANT**—STEM UNITS MUST BE REPLACED CORRECTLY FOR PROPER HANDLE ROTATION. For cross handles (9), stem units must be installed so stops on stems point to center of faucet. For lever handles (10), (11) or (12), stem units must be installed so stops on stems both point to the right.

3. IF FAUCET LEAKS FROM AROUND SPOUT BONNET—replace O-ring (2), REPAIR KIT RP16493.

CARE INSTRUCTIONS

Your Delta® Faucet is designed and engineered in accordance with the highest quality and performance standards. With proper care, it will give you years of trouble free service. Care should be given to the cleaning of this product. Although its finish is extremely durable, it can be damaged by harsh abrasives or polish. To clean, wipe gently with a damp cloth and blot dry with a soft towel.

MODELS

KEY	PART DESCRIPTION	ORDER NUMBER	MODELS	
			2767	2767 BC
1.	Spout with O-ring	RP16492	●	●
		RP16492 BC	●	●
2.	O-ring	RP16493	●	●
3.	Spout, Bonnet	RP16494	●	●
		RP16494 BC	●	●
4.	Gasket	RP16495	●	●
5.	Nut and Washer	RP16496	●	●
6.	Set Screw	RP16497	●	●
7.	Spout Body	RP16498	●	●
8.	Screws	RP15552	●	●
		RP15552 BC	●	●
9.	Cross Handles	RP14944	*	*
		RP14944 BC	*	*
10.	Lever Handles	RP14789	*	*
		RP14789 BC	*	*
11.	Lever Handles-White	RP14789 WC	*	*
		RP14789 WB	*	*
12.	Lever Handles-Oak	RP14789 OAK	*	*
		RP14789 BC OAK	*	*
13.	Base with Gasket	RP6409	●	●
		RP6409 BC	●	●
14.	Bonnets	RP6060	●	●
		RP6060 CG	●	●
15.	Stem Unit Assy.	RP1740	●	●
16.	Seats and Springs	RP4993	●	●
17.	End Body Assy.	RP6168	●	●
18.	Nuts and Washers	RP6054	●	●
		RP16499	●	●
19.	End Body-Complete	RP16499	●	●
		RP16499 BC	●	●
20.	Spout Assy.-Complete	RP16500	●	●
		RP16500 BC	●	●

*Handle Options

DELTA LIMITED WARRANTY

All parts of the Delta faucet are warranted to the original consumer purchaser to be free from defects in material and workmanship for a period of two (2) years. This warranty is made to the original consumer purchaser and shall be effective from date of purchase as shown on purchaser's receipt.

Delta Faucet Company will replace, FREE OF CHARGE, during the warranty period, any part which proves defective in material and/or workmanship under normal installation, use, and service. Replacement parts can be obtained from your local dealer or distributor listed in the telephone directory or by returning the part to our factory. TRANSPORTATION CHARGES PREPAID, at the address listed. THIS WARRANTY IS THE ONLY EXPRESS WARRANTY MADE BY DELTA FAUCET COMPANY AND IS LIMITED TO DEFECTIVE PARTS REPLACEMENT ONLY. ANY OTHER WARRANTIES INCLUDING THE IMPLIED WARRANTIES OF MERCHANTABILITY AND FITNESS FOR A PARTICULAR PURPOSE ARE LIMITED TO THE DURATION OF THIS WARRANTY. LABOR CHARGES AND/OR DAMAGE INCURRED IN INSTALLATION, REPAIR OR REPLACEMENT AS WELL AS INCIDENTAL AND CONSEQUENTIAL DAMAGES CONNECTED THEREWITH ARE EXCLUDED AND WILL NOT BE PAID BY DELTA FAUCET COMPANY.

Some states do not allow the exclusion or limitation of incidental or consequential damages, so the above limitation or exclusion may not apply to you.

This warranty is void for any damage to this faucet due to misuse, neglect, accident, improper installation, any use violative of instructions furnished by us, or any use of replacement parts other than genuine Delta parts.



A Division of Masco Corporation of Indiana
Route 46 West P.O. Box 47
Greensburg, Indiana 47240

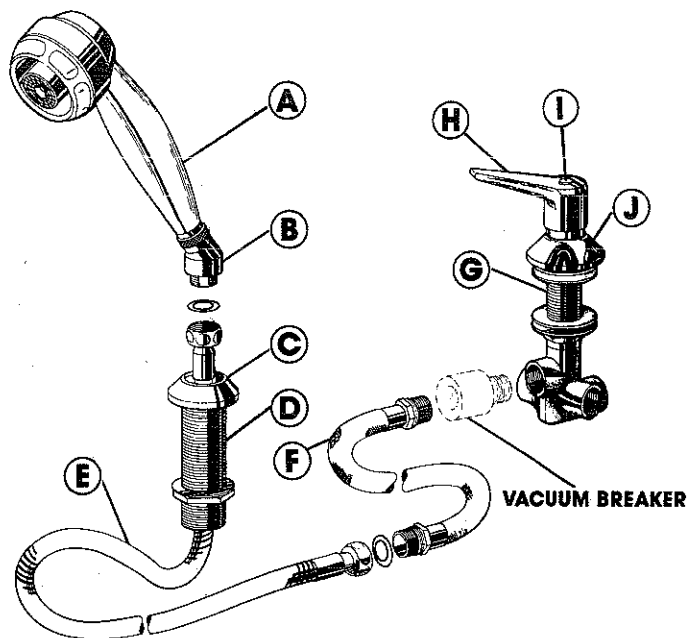


INSTALLATION GUIDE

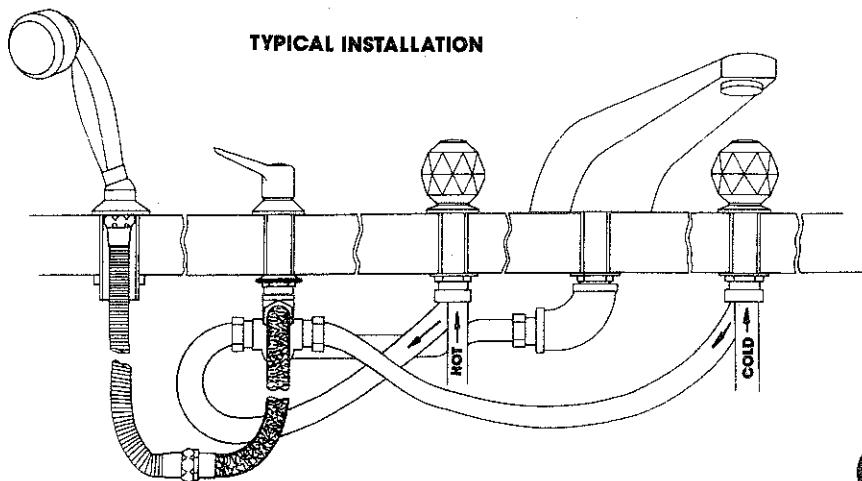
SHUT OFF WATER SUPPLIES

NOTE: The length of the braided metal hose limits the distance between the transfer valve and deck fitting. The distance between the transfer valve and deck fitting should not exceed 18" with the braided metal hose furnished.

1. Remove handle screw, handle, handle escutcheon, one nut, washer and gasket from transfer valve.
2. Install transfer valve from underside of mounting surface.
3. Reinstall gasket, washer, nut, handle escutcheon, handle and handle screw.
4. Plumbing codes in your area may require installation of a vacuum breaker. If so, contact your supplier. Install vacuum breaker in outlet labeled "TO SHOWER" on transfer valve.
5. Connect hot and cold water lines to corresponding labeled outlets on transfer valve.
6. Mount spray support assembly.
7. Connect the two hoses together (gasket between).
8. Connect braided metal hose to outlet labeled "TO SHOWER" on transfer valve.
9. Insert hose up through deck mount and assemble elbow and hand piece to hose (gasket between each).
10. Connect tub spout to transfer valve, outlet labeled "TO TUB SPOUT"
11. Turn on water supplies and check for leaks.



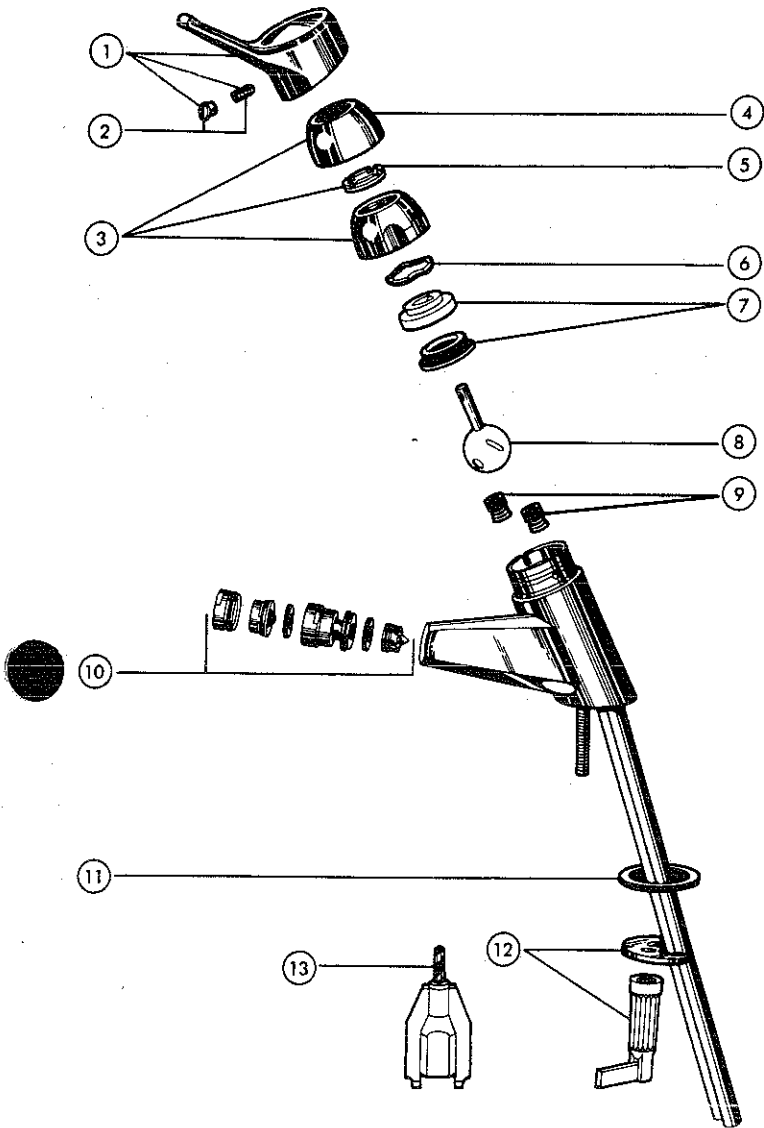
KEY	PART DESCRIPTION	ORDER NUMBER	MODELS			
			RP14979	RP14979 AB	RP14979 BC	RP14979 CG
A.	Hand Piece	RP14991	●			
		RP14991 AB		●		
		RP14991 BC			●	
		RP14991 CG				●
B.	Elbow Assembly	RP16668	●			
		RP16668 AB		●		
		RP16668 BC			●	
		RP16668 CG				●
C.	Escutcheon	RP16669	●			
		RP16669 AB		●		
		RP16669 BC			●	
		RP16669 CG				●
D.	Spray Support Assembly	RP14987	●			
		RP14987 AB		●		
		RP14987 BC			●	
		RP14987 CG				●
E.	Hose	RP14990	●			
		RP14990 AB		●		
		RP14990 BC			●	
		RP14990 CG				●
F.	Hose (metal braided)	RP14989	●	●	●	●
G.	Transfer Valve	RP14988	●			
		RP14988 AB		●		
		RP14988 BC			●	
		RP14988 CG				●
H.	Handle	RP16670	●			
		RP16670 AB		●		
		RP16670 BC			●	
		RP16670 CG				●
I.	Screw	RP16672	●			
		RP16672 AB		●		
		RP16672 BC			●	
		RP16672 CG				●
J.	Escutcheon	RP16671	●			
		RP16671 AB		●		
		RP16671 BC			●	
		RP16671 CG				●



LEAVE THIS INSTRUCTION SHEET WITH INSTALLED HAND SHOWER!

SINGLE HANDLE EUROSTYLE BIDET

NOTE: Refer to chart for correct ORDER NUMBER when ordering replacement parts.



BASE Plate RP-13943 XX

KEY	PART DESCRIPTION	ORDER NUMBER	MODELS			
			25030 AL	25030 RD	25030 WH	25030 GR
1.	Handle with Button and Set Screw	RP13928 AL	●			
		RP13928 RD		●		
		RP13928 WH			●	
		RP13928 GR				●
2.	Button and Set Screw	RP13929	●	●	●	●
3.	Cap Assembly	RP13930 AL	●			
		RP13930 RD		●		
		RP13930 WH			●	
		RP13930 GR				●
4.	Cap	RP13931 AL	●			
		RP13931 RD		●		
		RP13931 WH			●	
		RP13931 GR				●
5.	Adjusting Ring	RP250	●	●	●	●
6.	Spring Washer	RP13932	●	●	●	●
7.	Cam Assembly	RP61	●	●	●	●
8.	Ball Assembly	RP10797	●	●	●	●
9.	Seats and Springs	RP4993	●	●	●	●
10.	Spray Outlet	RP13946 AL	●			
		RP13946 RD		●		
		RP13946 WH			●	
		RP13946 GR				●
11.	Retaining Seal	RP13947	●	●	●	●
12.	Mounting Washer & Wrench	RP13940	●	●	●	●
13.	Adjusting Wrench	RP13941	●	●	●	●
▲	Complete Pop-Up Assembly	RP13945 AL	●			
		RP13945 RD		●		
		RP13945 WH			●	
		RP13945 GR				●

MODEL AND ORDER NUMBER FINISH SUFFIXES:
AL = Almond, RD = Red, WH = White, GR = Gray

▲ Refer to back page for pop-up assembly installation and replacement parts.

AFTER INSTALLATION

1. Remove spray outlet and flush both hot and cold lines for one minute each.
2. Check for leaks under sink.
3. Shut off and replace aerator.

Euro Style Bidet can be mounted with the same escutcheon as 25520. You have to change the retaining seal to RP-13942

DELTA LIMITED WARRANTY

All parts and colored INFRACRYL™ surfaces of the Delta faucet are warranted to the original consumer purchaser to be free from defects in material and workmanship for a period of two (2) years. This warranty is made to the original consumer purchaser and shall be effective from date of purchase as shown on purchaser's receipt.

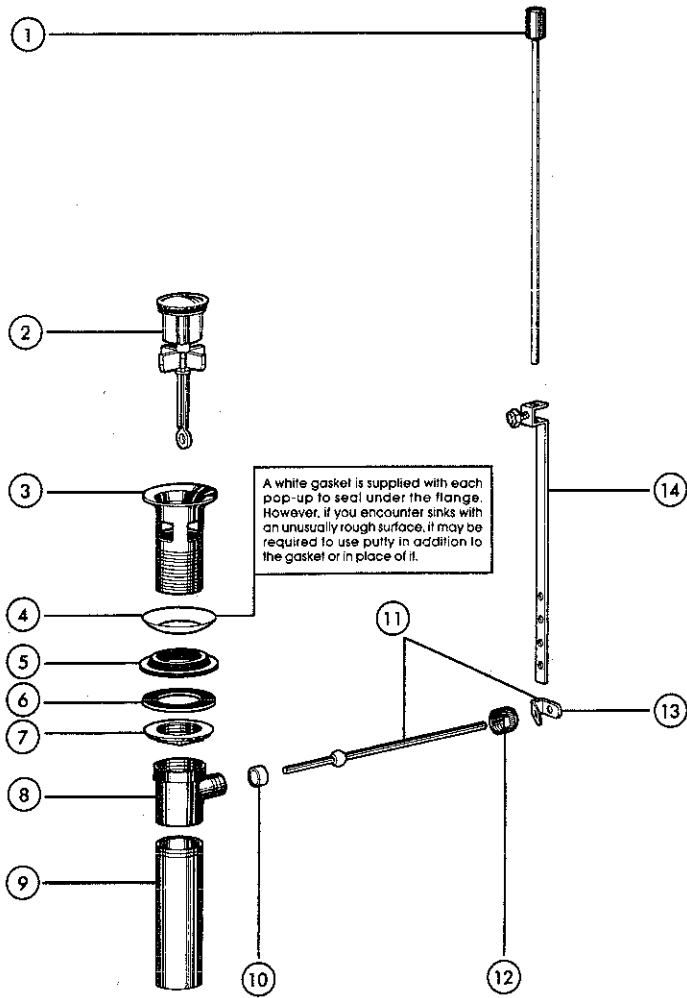
Delta Faucet Company will replace, FREE OF CHARGE, during the warranty period, any part which proves defective in material and/or workmanship under normal installation, use, and service. Replacement parts can be obtained from your local dealer or distributor listed in the telephone directory or by returning the part to our factory. TRANSPORTATION CHARGES PREPAID, at the address listed. THIS WARRANTY IS THE ONLY EXPRESS WARRANTY MADE BY DELTA FAUCET COMPANY, AND IS LIMITED TO DEFECTIVE PARTS ONLY. ANY OTHER WARRANTIES INCLUDING THE IMPLIED WARRANTIES OF MERCHANTABILITY AND FITNESS FOR A PARTICULAR PURPOSE ARE LIMITED TO THE DURATION OF THIS WARRANTY. LABOR CHARGES AND/OR DAMAGE INCURRED IN INSTALLATION, REPAIR OR REPLACEMENT AS WELL AS INCIDENTAL AND CONSEQUENTIAL DAMAGES CONNECTED THEREWITH ARE EXCLUDED AND WILL NOT BE PAID BY DELTA FAUCET COMPANY.

Some states do not allow the exclusion or limitation of incidental or consequential damages, so the above limitation or exclusion may not apply to you.

This warranty is void for any damage to this faucet due to misuse, neglect, accident, improper installation, any use violative of instructions furnished by us, or any use of replacement parts other than genuine Delta parts.

LEAVE THIS INSTRUCTION SHEET WITH INSTALLED FAUCET!

NOTE: Refer to chart for correct ORDER NUMBER when ordering replacement parts.



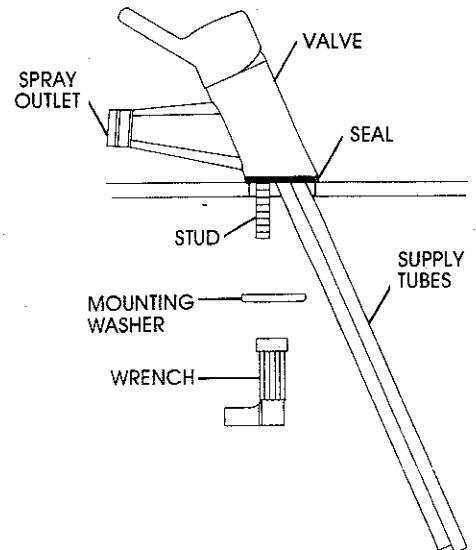
A white gasket is supplied with each pop-up to seal under the flange. However, if you encounter sinks with an unusually rough surface, it may be required to use putty in addition to the gasket or in place of it.

KEY	PART DESCRIPTION	ORDER NUMBER	MODELS			
			RP13945AL	RP13945RD	RP13945WH	RP13945GR
1.	Lift Rod	RP13956AL	●			
		RP13956RD		●		
		RP13956WH			●	
		RP13956GR				●
2.	Stopper	RP13957AL	●			
		RP13957RD		●		
		RP13957WH			●	
		RP13957GR				●
3.	Flange	RP13958AL	●			
		RP13958RD		●		
		RP13958WH			●	
		RP13958GR				●
4.	Gasket (White)	RP13959	●	●	●	●
5.	Gasket (Black)	RP13960	●	●	●	●
6.	Washer	RP13961	●	●	●	●
7.	Nut	RP13962	●	●	●	●
8.	Body	RP13963	●	●	●	●
9.	Tailpiece	RP13964	●	●	●	●
10.	Pivot Seat	RP13965	●	●	●	●
11.	Pivot Rod w/Spring Clip	RP13966	●	●	●	●
12.	Nut	RP13967	●	●	●	●
13.	Spring Clip	RP12518	●	●	●	●
14.	Strap w/Screw	RP12516	●	●	●	●

MODEL AND ORDER NUMBER FINISH SUFFIXES:
AL = Almond, RD = Red, WH = White, GR = Gray

INSTALLATION STEPS

1. Assemble retaining seal to bottom of valve and insert entire assembly into bidet. Position valve on bidet and secure with mounting washer and wrench as shown.



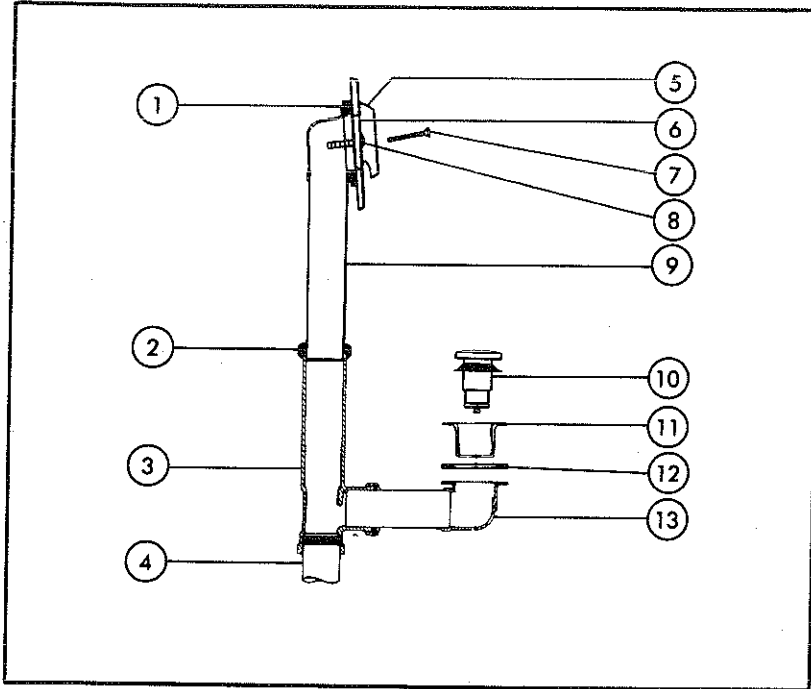
2. Carefully bend supply tubes of valve assembly to desired position and attach to water supply lines. **WARNING: KINKED TUBES WILL VOID WARRANTY.**
3. After installation is complete, remove spray outlet and flush both hot and cold lines for one minute each. Check for leaks. Shut off and replace spray outlet.



A Division of Masco Corporation of Indiana
Route 46 West P.O. Box 47
Greensburg, Indiana 47240

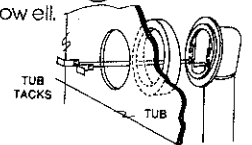
WRITE PURCHASED MODEL NUMBER HERE FOR FUTURE REFERENCE.

A. BRASS CONSTRUCTION

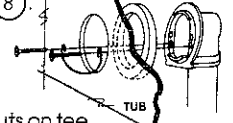


INSTALLATION INSTRUCTIONS

1. Apply putty to underside of the waste plug (11) and insert into drain hole of tub. From underneath tub slip gasket (12) or (18) up over the waste plug. Secure the drain ell (13) or (19) to the waste plug by screwing onto the waste plug. Wipe off excess putty.
2. Assemble the beveled gasket (1) to overflow ell (9) or (17) and adjust to fit the angle of tub. Attach tee (3) or (15) to drain ell and overflow ell but do not tighten the coupling nuts onto the tee.
3. For model RP393. Attach overflow ell (17) to tub by inserting tub tacks (16) into slots on both sides of the overflow ell.

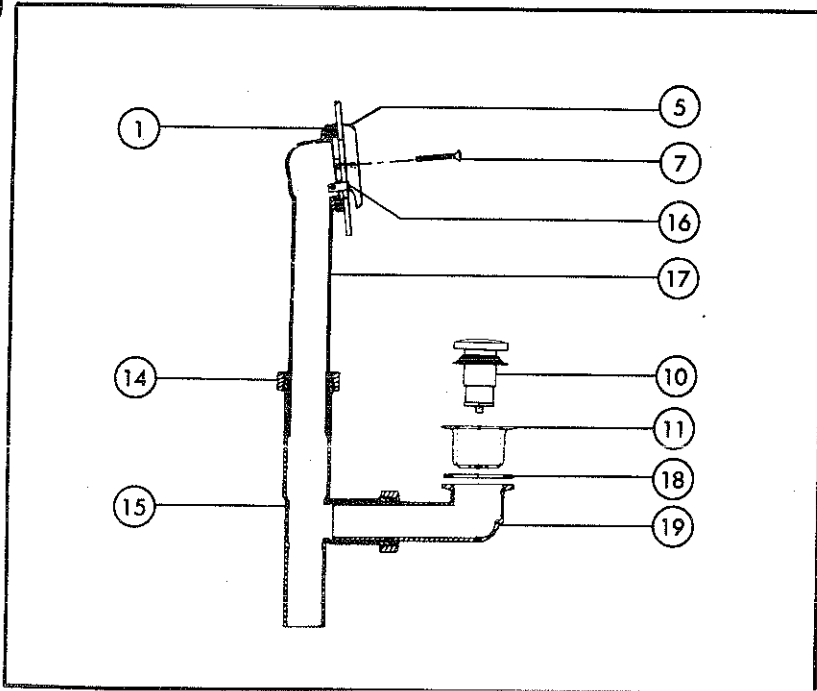


- For models RP293 and RP693 SERIES. Attach overflow ell (9) to tube using retainer wire (6) and retainer screws (8).



4. Tighten coupling nuts on tee.
5. Align the overflow plate (5) with the threaded holes in the overflow elbow and insert screws (7), tighten.
6. Screw the stopper assembly (10) into waste plug hand tight.

B. PLASTIC CONSTRUCTION



CARE INSTRUCTIONS

Your Delta® Faucet bath waste is designed and engineered in accordance with the highest quality and performance standards. With proper care, it will give you years of trouble free service. Care should be given to the cleaning of this product. Although its finish is extremely durable, it can be damaged by harsh abrasives or polish. To clean, wipe gently with a damp cloth and blot dry with a soft towel.

MAINTENANCE

WHEN PERFORMING ROUTINE MAINTENANCE, DO NOT VOID YOUR WARRANTY BY INSTALLING NON-GENUINE PARTS. USE ONLY AUTHORIZED PARTS THAT CARRY THE DELTA® GENUINE PARTS LOGO.

KEY	PART DESCRIPTION	ORDER NUMBER	MODELS			
			RP293	RP693 AB	RP693 BC	RP693 CG
1.	Beveled Gasket	RP7420	●	●	●	●
2.	Coupling Nuts & Gaskets	RP7903	●	●	●	●
3.	Tee	RP7902	●	●	●	●
4.	Tailpiece	RP7441	●	●	●	●
5.	Overflow Plate	RP7897	●			
		RP7424				●
		RP7424 BC			●	
		RP7424 CG			●	
6.	Retainer Wire	RP7898	●	●	●	●
7.	Overflow Plate Screws	RP6404	●	●	●	●
		RP6404 BC			●	
		RP6404 CG			●	
		RP6284			●	
8.	Retainer Screws	RP7439	●	●	●	●
9.	Overflow Ell	RP7899	●	●	●	●
10.	Stopper Assembly	RP10803	●	●	●	●
		RP16686	●	●	●	●
		RP16686 AB		●		
		RP16686 BC		●		
		RP16686 CG		●		
11.	Waste Plug	RP16687	●	●	●	●
		RP16687 AB		●		
		RP16687 BC		●		
		RP16687 CG		●		
12.	Gasket	RP7900	●	●	●	●
13.	Drain Ell	RP16684	●	●	●	●
		RP16685	●			
14.	Coupling Nuts & Gaskets	RP7421				
15.	Tee	RP7414				●
16.	Tub Tacks	RP7435				●
17.	Overflow	RP7410				●
18.	Gasket	RP7423				●
19.	Drain Ell	RP7416				●



Division of Masco Corporation of Indiana
55 East 111th Street • P.O. Box 40980
Indianapolis, Indiana 46280