



24X24 TOTAL PACKAGE



- Easily removable access port, no bolts to remove
- Removable float tree
- 24x24 basin for shallow burial applications
- 41 Gallon capacity
- 360° molded handle
- Molded torque stops for added pump support
- Anti-flotation device
- Fully assembled
- Stackable for storage/shipping
- Shipped with clear construction cover
- 100% Factory Tested



Available now at
**ROCKY MOUNTAIN
SALES Inc.**

Model 912-1141

LIST PRICE \$596

M264 Pump
4/10 HP
115V / 1 PH
9.4 Amps
2" Discharge

Trusted. Tested. Tough.®

Product information presented here reflects conditions at time of publication. Consult factory regarding discrepancies or inconsistencies.



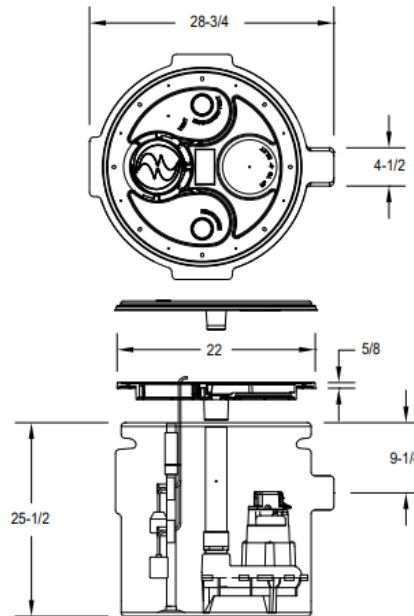
SECTION: 2.45.054
FM3292
0121
Supersedes
New

TECHNICAL DATA SHEET

NEW 912 PACKAGE SYSTEMS
PREASSEMBLED SEWAGE SYSTEMS FOR FAST INSTALLATION.

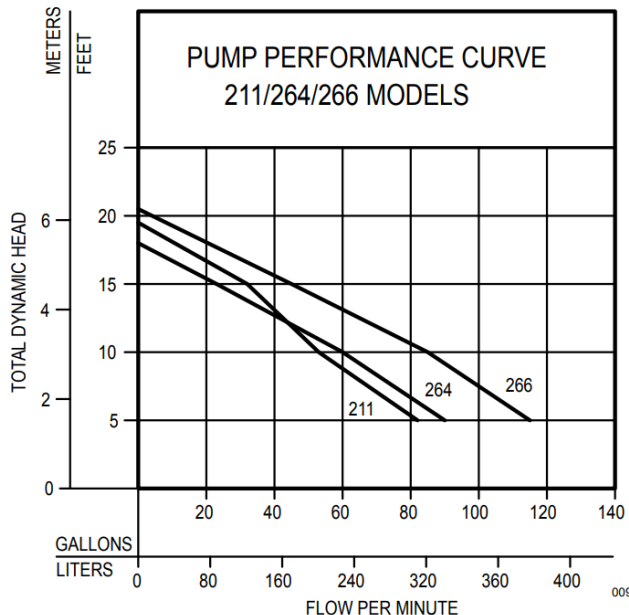
PUMP SPECIFICATIONS

MOTOR	Voltage	115
	Phase	1
	Hertz	60
	RPM	1400 or 2800
	Type	Permanent split capacitor
	Insulation	Class B
	Amps	4.4 - 8.5
	Operation	Automatic
PUMP	Auto On / Off	Varies based on package
	Discharge Size	2" NPT
	Solids Handling	2" (50 mm) spherical solids
	Cord Length	20' (6 m) standard
	Max. Head	14' (4.3 m), 22' (6.7 m), 45.6' (13.9 m)
	Max. Flow Rate	92 GPM (20.9 m ³ /hr), 106 GPM (24 m ³ /hr), 149 GPM (33.8 m ³ /hr)
	Max. Operating Temp.	130 °F (54 °C)
	Cooling	Oil filled
MATERIALS	Motor Protection	Auto reset thermal overload
	Cap	Cast iron
	Motor Housing	Cast iron
	Pump Housing	Cast iron
	Base	Engineered plastic or cast iron
	Upper Bearing	Sleeve bearing
	Lower Bearing	Sleeve or ball bearing
	Mechanical Seals	Carbon/ceramic
	Impeller Type	Non-clogging vortex
	Impeller	Engineered plastic
	Hardware	Stainless steel
	Motor Shaft	1215 cold rolled steel, 1144 steel or JIS S45C steel
Gasket	Neoprene	



SK3308

24" x 24" (61 x 61 cm) shown, 18" x 30" (46 x 76 cm) and 24" x 36" (61 x 91 cm) also available.



TOTAL DYNAMIC HEAD/FLOW
PER MINUTE
SEWAGE AND DEWATERING

MODELS		211		264		266	
Feet	Meters	Gal.	Liters	Gal.	Liters	Gal.	Liters
5	1.5	82	310	90	341	115	435
10	3.0	53	201	60	227	85	322
15	4.6	32	121	23	87	45	170
Shut-off Head:		19.5 ft.(5.9m)		18 ft.(5.5m)		20.5 ft.(6.2m)	