

# DIGITAL INSTANT HOT WATER TANK

HWT300  
HWT300-F2000S

## FEATURES:

- Digital instant hot water tank dispenses 205°F filtered water
- Available tank only (HWT300) or tank with F2000S filtration system (HWT300-F2000S)
- For use with InSinkEerator instant hot water dispensers and filtration systems
- Touch-panel digital interface; modern design
- Adjustable thermostat from 190°F - 210°F
- Precise temperature control +/- 0.9°F
- Tool-free tank connections and dry start protection
- Sound proofing for ultra-quiet performance
- Rapid recovery electrical power
- NSF 58 certified for RO compatibility
- Unit not for commercial/industrial use

## MATERIAL:

- 100% welded/brazed, 316L premium 2/3 gallon stainless steel tank
- Meets UL flammability specifications

## WARRANTY:

We Come To You® In-Home Limited Warranty:  
Tank 4-years

Filtration System 1-year (excluding replaceable filter cartridge)

Covers parts and labor.

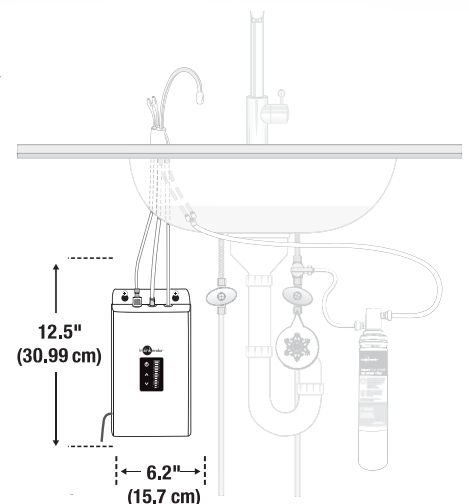
The complete InSinkEerator warranty is included in the Care & Use booklet with each unit.

## CERTIFICATIONS:

NSF/ANSI 58 certified for RO compatibility  
NSF/ANSI 42/53 • NSF/ANSI 372  
ASSE 1023 • UPC • cULus Listed  
ISO 9001 Quality System Certified



Supply Connection	1/4" (0.64 cm) Compression and/or push fitting
Required Sink Hole Diameter	1-3/8" - 1-1/2" (3.49 cm - 3.81 cm) Standard Sink Hole
Required Supply Pressure	25-125 psi (172-862 kPA or 1.7-8.6 bar)
Backsplash Clearance for Installation	Minimum 2" (5.08 cm) required from sink hole center to backsplash
Counter Thickness	Maximum of 3" (7.62 cm)
Shipping Weight	4.32 lb (1.96 kg)



USA: 1.800.558.5700 [www.insinkerator.com](http://www.insinkerator.com)  
CA: 1.800.561.1700 [www.insinkerator.ca](http://www.insinkerator.ca)





# Instant Hot Water Dispensers

## Model

## F-2000S Filtration System Plus

A water filtration system exclusively designed for InSinkErator instant hot water dispensers

# The Next Necessity™



### Submittal Sheet

- Reduces particulates, chlorine taste and odor, plus cysts, lead, mercury, asbestos, benzene, atrazine, 2,4-D, Lindane, Carbofuran and p-Dichlorobenzene for healthier, safer water
- Quick-connect fittings guarantee easy installation
- Sanitary, quick-change filter cartridge makes replacement easy. A simple twist is all it takes!
- Automatically shuts off water when filter cartridge is replaced
- Replace every 6 months at the rated capacity or if a noticeable reduction in flow rate occurs

### Specifications

Filter Capacity	500 gallons
Temperature Range	Incoming cold water supply line can be from 33°F to 100°F (1°C to 38°C). Connect to cold water supply line only.
Pressure	30-120 psi
Flow Rate	.75 gpm
Shipping Weight	Approximately 2.5 lbs.

### Warranty:

1-year parts and in-home service\* (excluding replaceable filter cartridge)

\* The complete InSinkErator warranty is included in the Care & Use booklet packed with each unit.

**F-2000S Chemical & Mechanical Reduction Filter Specifications:** This cartridge provides mechanical and chemical reduction of dirt/rust, chlorine/taste/odor, particulates, cysts, asbestos, lead, mercury, lindane, atrazine, benzene, carbofuran, p-dichlorobenzene, 2,4-D and Atrazine.

This system has been tested according to NSF/ANSI Standards 42 and 53 for the reduction of the substances listed below. The concentration of the indicated substances in water entering the system was reduced to a concentration less than or equal to the permissible limit for water leaving the system as specified in NSF/ANSI Standards 42 and 53.



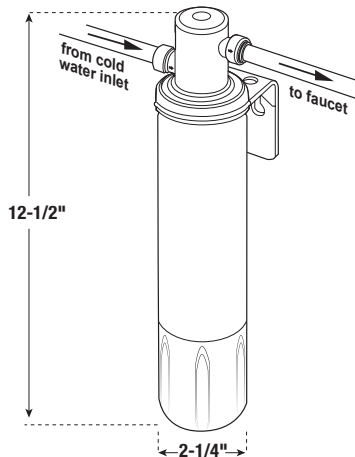
Tested & Certified by NSF International against NSF/ANSI Standard 42 and Standard 53 in the following InSinkErator Systems Only: GN1100, HC1100, GN2200, HC2200, GN2215, HC2215, H3300 or HC3300 for the reduction of claims specified on the Performance Data Sheet.

Pressure: 30 - 120 psi  
Temperature: 33-100°F  
Flow rate: .75 gpm  
Capacity: 500 gallons

#### REPLACEMENT ELEMENT

**Filter Capacity:** 500 gallons, depending on local water conditions. Note that while the testing was performed under standard laboratory conditions, actual performance may vary. For cold water use only. Systems must be installed and operated in accordance with the Manufacturer's recommended procedures and guidelines. See warranty card for warranty. For service and parts, contact your local dealer.

### Dimensions



Contaminant Reduction	Average Influent	NSF specified Challenge Concentration	Avg % Reduction	Average Product Water Concentration	Max Permissible Product Water Concentration	NSF Reduction Requirements	NSF Test Report
Chlorine Taste and Odor	2.0 mg/L	2.0 mg/L ± 10%	97.5%	0.05 mg/L	N/A	≥ 50%	J-00056501
Nominal Particulate Class I, ≥0.5 to < 1.0 µm	13,666,667 pts/mL	At least 10,000 particles/mL	99.0%	143,333 pts/mL	N/A	≥ 85%	J-00056506
Asbestos	96 MFL	10 <sup>7</sup> to 10 <sup>8</sup> fibers/L; fibers greater than 10µm in length	>99%	<1 MFL	N/A	≥ 99%	J-00056511
Atrazine	0.009 mg/L	0.009 mg/L ± 10%	94.4%	0.0005 mg/L	0.003 mg/L	N/A	J-00109716
Benzene	0.014 mg/L	0.015 mg/L ± 10%	96.3%	0.005 mg/L	0.005 mg/L	N/A	J-00056535
Carbofuran	0.08 mg/L	0.08 mg/L ± 10%	86.8%	0.01mg/L	0.04 mg/L	N/A	J-00112822
Cyst*	170,000 cysts/L	Minimum 50,000 cysts/L	99.99%	0.001 cyst/L	N/A	≥ 99.95%	J-00109715
Lead @ pH 6.5	0.153 mg/L	0.15 mg/L ± 10%	99.3%	0.001 mg/L	0.010 mg/L	N/A	J-00056515
Lead @ pH 8.5	0.150 mg/L	0.15 mg/L ± 10%	99.3%	0.001 mg/L	0.010 mg/L	N/A	J-00058784
Lindane	0.002 mg/L	0.002 mg/L ± 10%	98.8%	0.00002 mg/L	0.0002 mg/L	N/A	J-00107051
Mercury @ pH 6.5	0.006 mg/L	0.006 mg/L ± 10%	94.7%	0.0003 mg/L	0.002 mg/L	N/A	J-00058785
Mercury @ pH 8.5	0.006mg/L	0.006 mg/L ± 10%	88.1%	0.0007 mg/L	0.002 mg/L	N/A	J-00058783
P-Dichlorobenzene	0.215 mg/L	0.225 mg/L ± 10%	>99.8%	0.0005 mg/L	0.075 mg/L	N/A	J-00056538
2,4-D Reduction	0.209 mg/L	0.210 mg/L ± 10%	84.9%	0.03 mg/L	0.07 mg/L	N/A	J-00059273

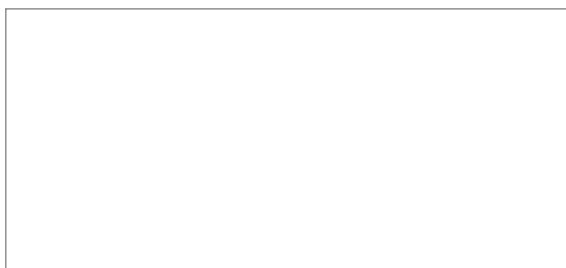
\* Based on the use of Cryptosporidium parvum oocysts

**NSF is a trademark of NSF International.**

**Application guidelines/Water Supply Parameters for NSF Testing:** Service flow of .75 gpm, community or private well water supply, water pressure of 30-120 psi, water temperature of 33°F-100°F. Except as noted, all testing performed at pH = 7.5 ± 0.5, Flow: .75 gpm, Pressure: 60 psi, Temp: 20° ± 3°C.

Replacement filters F-1000 and F-2000 can be ordered by visiting [shop.insinkerator.com](http://shop.insinkerator.com) or by contacting an authorized InSinkErator reseller.

### Job Specifications



USA  
1-800-558-5700  
[www.insinkerator.com](http://www.insinkerator.com)

Canada  
1-800-558-5700  
[www.insinkerator.ca](http://www.insinkerator.ca)



The Emerson logo is a trademark and a service mark of Emerson Electric Co.

InSinkErator may make improvements and/or changes in the specifications at any time, in its sole discretion, without notice or obligation and further reserves the right to change or discontinue models.

©2017 InSinkErator, a business unit of Emerson Electric Co. All Rights Reserved.