

INSTANT HOT WATER TANK

HWT200
HWT200-F1000S

FEATURES:

- Instant hot water tank dispenses 208°F water
- Available tank only (HWT200) or tank with F1000S filtration system (HWT200-F1000S)
- For use with InSinkErator instant hot water dispensers and filtration systems
- Heating and at-temperature LED indicators
- Adjustable thermostat from 120°F - 208°F
- Precise temperature control +/- 2°F
- Tool-free tank connections and dry start protection
- Sound proofing for ultra-quiet performance
- Unit not for commercial/industrial use

MATERIAL:

- 100% welded/brazed, 316L premium 2/3 gallon stainless steel tank
- Meets UL flammability specifications

WARRANTY:

We Come To You® In-Home Limited Warranty:

Tank 3-years

Filtration System 1-year (excluding replaceable filter cartridge)

Covers parts and labor.

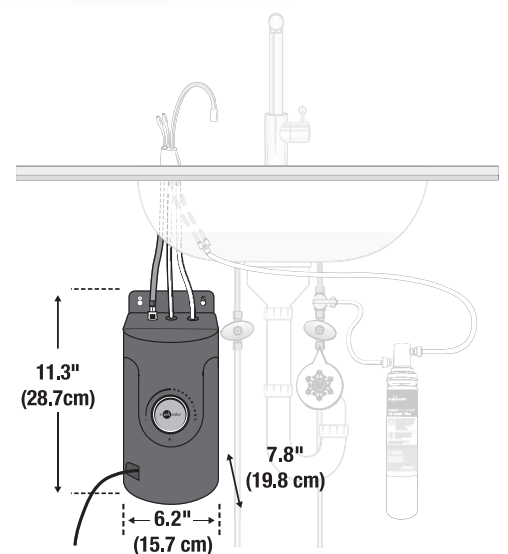
The complete InSinkErator warranty is included in the Care & Use booklet with each unit.

CERTIFICATIONS:

NSF/ANSI 58 certified for RO compatibility
NSF/ANSI 42 • NSF/ANSI 372 • cULus Listed
ISO 9001 Quality System Certified



Wattage	750 Watts
Voltage	115 Volts
Current	6.5 Amps
Recommended Supply Pressure	15-80 psi
Approx Net Weight	7 lbs (3.2 kg) (HWT200) 9 lbs (4.1 kg) (HWT200-F1000S)



USA: 1.800.558.5700 www.insinkerator.com
CA: 1.800.561.1700 www.insinkerator.ca

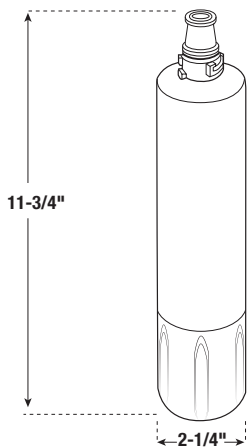




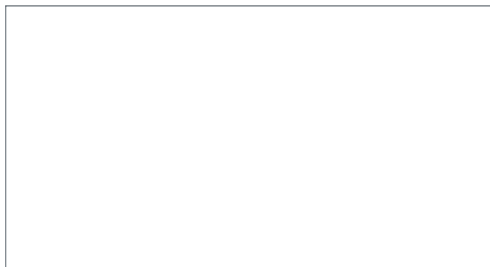
The Next Necessity™



Dimensions



Job Specifications



Instant Hot Water Dispensers

Model F-1000 Replacement Filter

For cleaner, fresher-tasting water

Submittal Sheet

- Includes 1 replacement filter for use with InSinkErator water filtration system
- Reduces particulates, chlorine taste and odor for clean, refreshing taste
- Sanitary, quick-change filter cartridge makes replacement easy. A simple twist is all it takes!
- Replace every 6 months at the rated capacity or if a noticeable reduction in flow rate occurs

Specifications

Filter Capacity	500 gallons
Temperature Range	Incoming cold water supply line can be from 33°F to 100°F (1°C to 38°C). Connect to cold water supply line only.
Pressure	30-120 psi
Flow Rate	.75 gpm
Shipping Weight	Approximately 1.0 lbs.

F-1000 Cartridge (included with this system) Chemical & Mechanical Reduction Filter Specifications:

This cartridge provides mechanical and chemical reduction of chlorine taste & odor and particulate class III.



Tested & Certified by NSF International against NSF/ANSI Standard 42 in the following InSinkErator Systems Only: GN1100, HC1100, GN2200, HC2200, GN2215, HC2215, H3300 or HC3300 for the reduction of claims specified on the Performance Data Sheet. For systems using two handle HC model faucets, operate only one handle at a time.

Pressure: 30-120 (207-827 kPa) psi
Temperature: 33°F - 100°F
Flow Rate: .75 gpm
Capacity: 500 gallons

Filter Capacity: 500 gallons, depending on local water conditions. Note that while the testing was performed under standard laboratory conditions, actual performance may vary. Do not use with water that is microbiologically unsafe or of unknown quality without adequate disinfection before or after the system. For cold water use only. Systems must be installed and operated in accordance with the Manufacturer's recommended procedures and guidelines. See warranty card for warranty. For service and parts, contact your local dealer or InSinkErator® directly at 1-800-558-5700.

Contaminant Reduction	Average Influent	Influent Challenge Concentration, Except As Noted, Units Apply to Each Row.	Avg. Product Water	Average % Reduction	NSF Red. Requirements	NSF Test
Chlorine Taste & Odor	2.1 mg/L	2.0 mg/L ± 10%	0.06 mg/L	97.0%	≥ 50%	J-00082587
Nominal Particulate Class III, ≥5 µm to <15 µm	270,000 pts/mL	At least 10,000 particles/mL	82 pts/mL	99.9%	≥85%	J-00119308

Application guidelines/Water Supply Parameters for NSF Testing: Service flow of .75 gpm, community or private well water supply, water pressure of 20-120 psi (138-827 kPa), water temperature of 33°F-100°F Except as noted, all testing performed at pH = 7.5 ± 0.5, Flow: .75 gpm, P ressure: 60 psi, Temp: 20±3°C.

Refer to the Performance Data Sheet for InSinkErator Filter System Model F-2000S Replacement Cartridge: F-2000

Contact an authorized InSinkErator service agent for repairs or replacement components. Replacement filters F-1000 and F-2000 can be ordered by calling 800-558-5700, visiting shop.insinkerator.com, or by contacting an authorized InSinkErator reseller.

USA
1-800-558-5700
www.insinkerator.com

Canada
www.insinkerator.ca



The Emerson logo is a trademark and a service mark of Emerson Electric Co.

InSinkErator may make improvements and/or changes in the specifications at any time, in its sole discretion, without notice or obligation and further reserves the right to change or discontinue models.

©2013 InSinkErator, a business unit of Emerson Electric Co. All Rights Reserved.